



450 series

CATCHPIT-SILT TRAP



MODEL
AICCP 450B

NEW MODEL
LAUNCH OCTOBER 2020

DRAINNOVATION
INNOVATIVE PRODUCTS FOR DRAINAGE

PDS/AICCP450B/9/20/rev1





MODEL AICCP450B

Description

450mm diameter Catchpit - Silt Trap, for catchment and trapping of Silt and Solids in surface water drainage systems. Supplied as a pre - assembled, single piece unit, ready to install.

Features & Benefits:

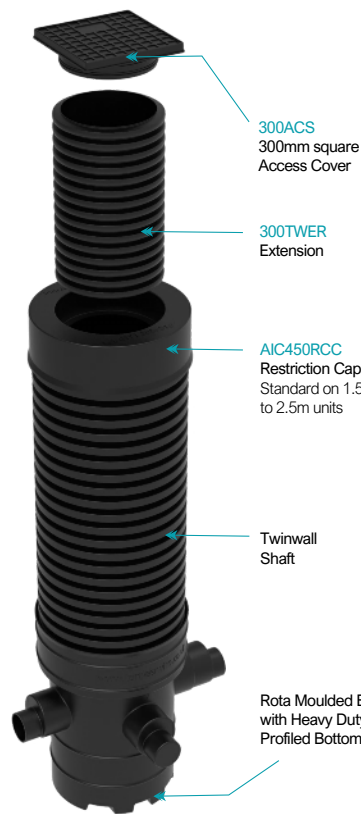
- One-piece unit delivered ready to install, reducing installation time and costs
- Quick and simple to install
- Lightweight - No machinery or lifting equipment required
- Eliminates wastage associated with in-situ construction
- Available in four standard depths
- Restriction Cap supplied with 1.5, 2 & 2.5 chambers to comply with SfA7
- 3m depth can be achieved by inserting the 300TWER into the AICCP450-2.5 model
- Main Channel Pipework Options - 110mm or 160mm EN1401
- Side Inlet Pipework Options - 110 or 160mm EN1401
- Features our New Profiled Heavy Duty Base
- Side inlets are supplied to be cut to required pipe size on site
- 300mm clear opening Extension Riser with 500mm effective height when inserted into Restriction Cap. Designed to bridge level indifferece on site and offer a smaller cover for landscaping
- Access shafts can be easily cut onsite to required depth
- Chemically Resistant Rota Moulded Polyethylene Base
- Can be installed in granular backfill
- Manufactured in the UK

Application:

- Design & Construction Guidance - April 2020. Section C7.1.1 - Sediment management ; states that an effective means of sediment control should be provided within the drainage system and particularly upstream of any attenuation component (e.g., pond, wetland, basin or tank), infiltration component, filtration component or outfall.
- Maximum installation depth : Adoptable - 2000mm to soffit of pipe and Non- Adoptable - 3000mm Total Depth

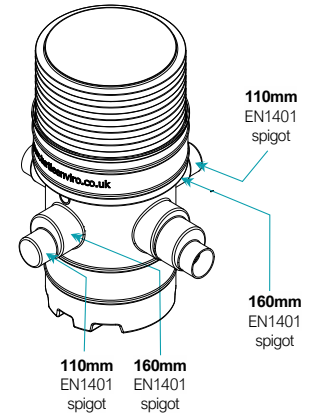
Compliance:

- EN13598 Part - 2 (2009)
- New Design & Construction Guidance - Section C7.1.1 Sediment Management
- Sewers for Adoption (SfA7) 7th edition
- Suitable for Adoptable and Non-Adoptable applications
- Building Regulations - Part H1

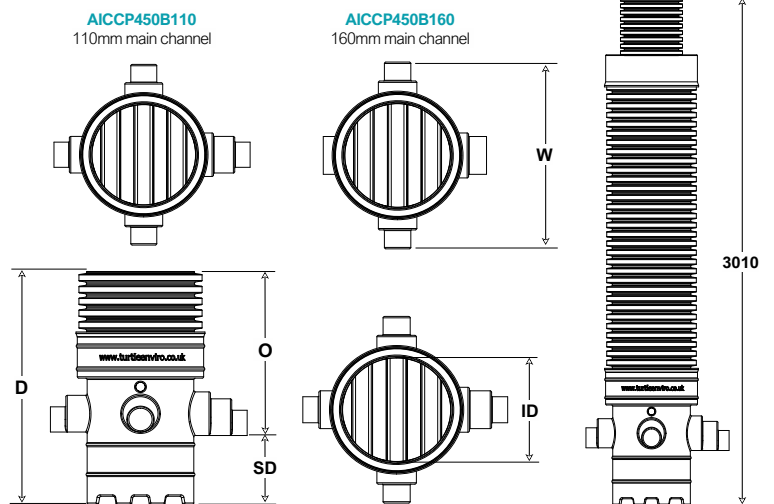


Side Inlet Options

Side Inlets are moulded with blank ends for cutting on site.



For 3m deep unit use the 300TWER with AICCP450/2.5



Product Code

Product Code	Chamber Internal Ø ID (mm)	Pipework Options (mm)	Sump Depth SD (mm)	Sump Storage Capacity (Litres)	Outlet Invert O (mm)	Overall Depth D (mm)	Overall width W (mm)
AICCP450B110/1	450	110	305	40	710	1015	790
AICCP450B110/1.5*	450	110	305	40	1190	1495	790
AICCP450B110/2*	450	110	305	40	1640	1945	790
AICCP450B110/2.5*	450	110	305	40	2205	2510	790
AICCP450B160/1	450	160	305	40	710	1015	790
AICCP450B160/1.5*	450	160	305	40	1190	1555	790
AICCP450B160/2*	450	160	305	40	1640	2010	790
AICCP450B160/2.5*	450	160	305	40	2205	2465	790

Optional Items

300TWER	300mm Ø Extension Riser x 500mm effective height
450SR	Sealing Ring for Restriction Cap to access shaft
AIC450RCC	Restriction Cap

Please Note:

- Units marked with * are supplied with restriction cap



making installation
easy..

