



600 series

CATCHPIT-SILT TRAP



MODEL
AICCP 600B



DRAINNOVATION
INNOVATIVE PRODUCTS FOR DRAINAGE

PDS/AICCP600B/19/20/rev7





MODEL AICCP 600B

Description

600mm diameter Catchpit - Silt Trap, for catchment and trapping of Silt and Solids in surface water drainage systems. Supplied as a pre - assembled, single piece unit, ready to install.

Features & Benefits:

- One-piece unit delivered ready to install, reducing installation time and costs
- Quick and simple to install
- Lightweight - No machinery or lifting equipment required
- Eliminates wastage associated with in-situ construction
- Available in four standard depths
- Restriction Cap supplied with 1.5* and deeper chambers to comply with new Design & Construction Guidelines and SFA7
- Base Unit has a Heavy Duty, profiled bottom
- Main Channel Pipework Options - 160mm EN1401 & 225 & 300mm twinwall
- Side Inlet Pipework Options - 110/160mm EN1401 or 225mm twinwall
- Side inlets are supplied to be cut to required pipe size on site
- Compatible with all UK twinwall pipework systems
- 300mm Ø Extension Risers that fit into Restriction Cap, can bridge any level indifference on site.
- Access shafts can be easily cut onsite to required depth
- Chemically Resistant Rota Moulded Polyethylene Base
- Can be installed in granular backfill
- Manufactured in the UK

Application:

- Design & Construction Guidance - April 2020. Section C7.1.1 - Sediment management ; states that an effective means of sediment control should be provided within the drainage system and particularly upstream of any attenuation component (e.g., pond, wetland, basin or tank), infiltration component, filtration component or outfall.
- Maximum installation depth : Adoptable - 2000mm to soffit of pipe and Non- Adoptable - 3000mm Total Depth

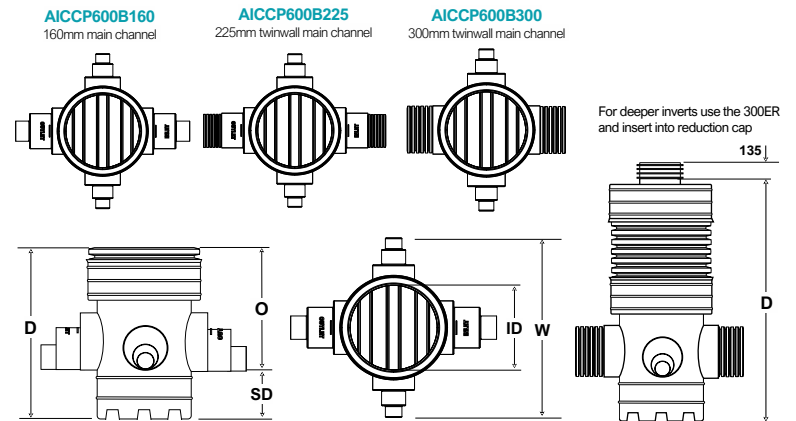
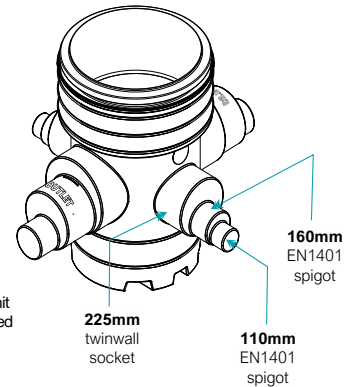
Compliance:

- EN13598 Part - 2 (2009)
- New Design & Construction Guidance - Section C7.1.1 Sediment Management
- Sewers for Adoption (SFA7) 7th edition
- Suitable for Adoptable and Non-Adoptable applications
- Building Regulations - Part H1



Side Inlet Options

Side Inlets are moulded with blank ends for cutting on site



Product Code	Chamber Internal ø ID (mm)	Pipework Options (mm) EN1401	Sump Depth SD (mm)	Sump Storage Capacity (Litres)	Outlet Invert O (mm)	Overall Depth D (mm)	Overall width W (mm)
AICCP600B160/1	600	160	320	80	755	1075	1230
AICCP600B160/1.5*	600	160	320	80	1235	1555	1230
AICCP600B160/2*	600	160	320	80	1690	2010	1230
AICCP600B160/2.5*	600	160	320	80	2145	2465	1230
		Twinwall					
AICCP600B225/1	600	225	340	85	735	1075	1230
AICCP600B225/1.5*	600	225	340	85	1215	1555	1230
AICCP600B225/2*	600	225	340	85	1670	2010	1230
AICCP600B225/2.5*	600	225	340	85	2125	2465	1230
		Twinwall					
AICCP600B300/1	600	300	350	87	725	1075	1230
AICCP600B300/1.5*	600	300	350	87	1205	1555	1230
AICCP600B300/2*	600	300	350	87	1660	2010	1230
AICCP600B300/2.5*	600	300	350	87	2115	2465	1230

Please Note:

- Units marked with * are supplied with restriction cap

Optional Items

300ER	300mm Extension Riser x 135mm effective height
600SR	Sealing Ring for Restriction Cap to access shaft
AIC600RCC	Restriction Cap

