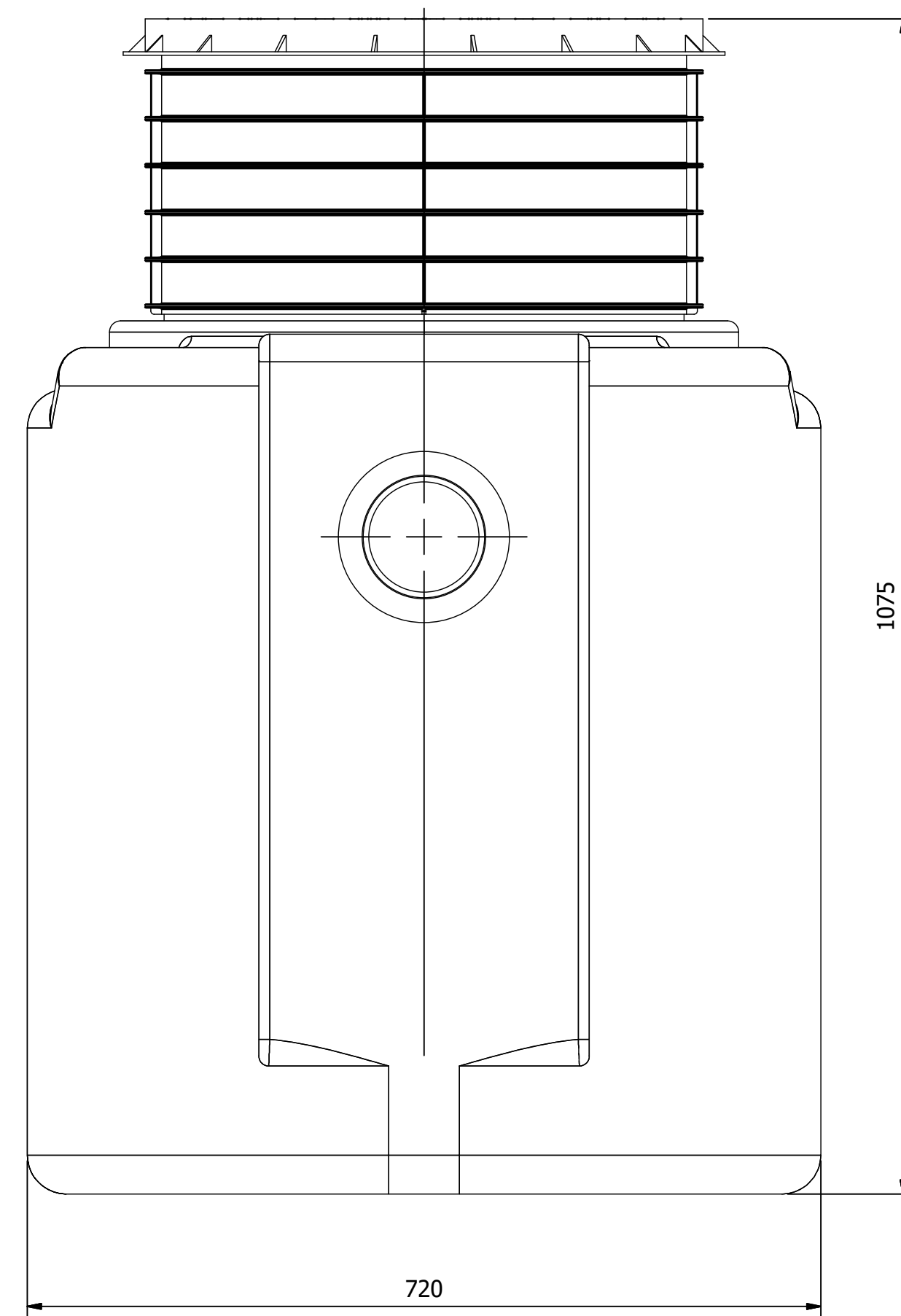
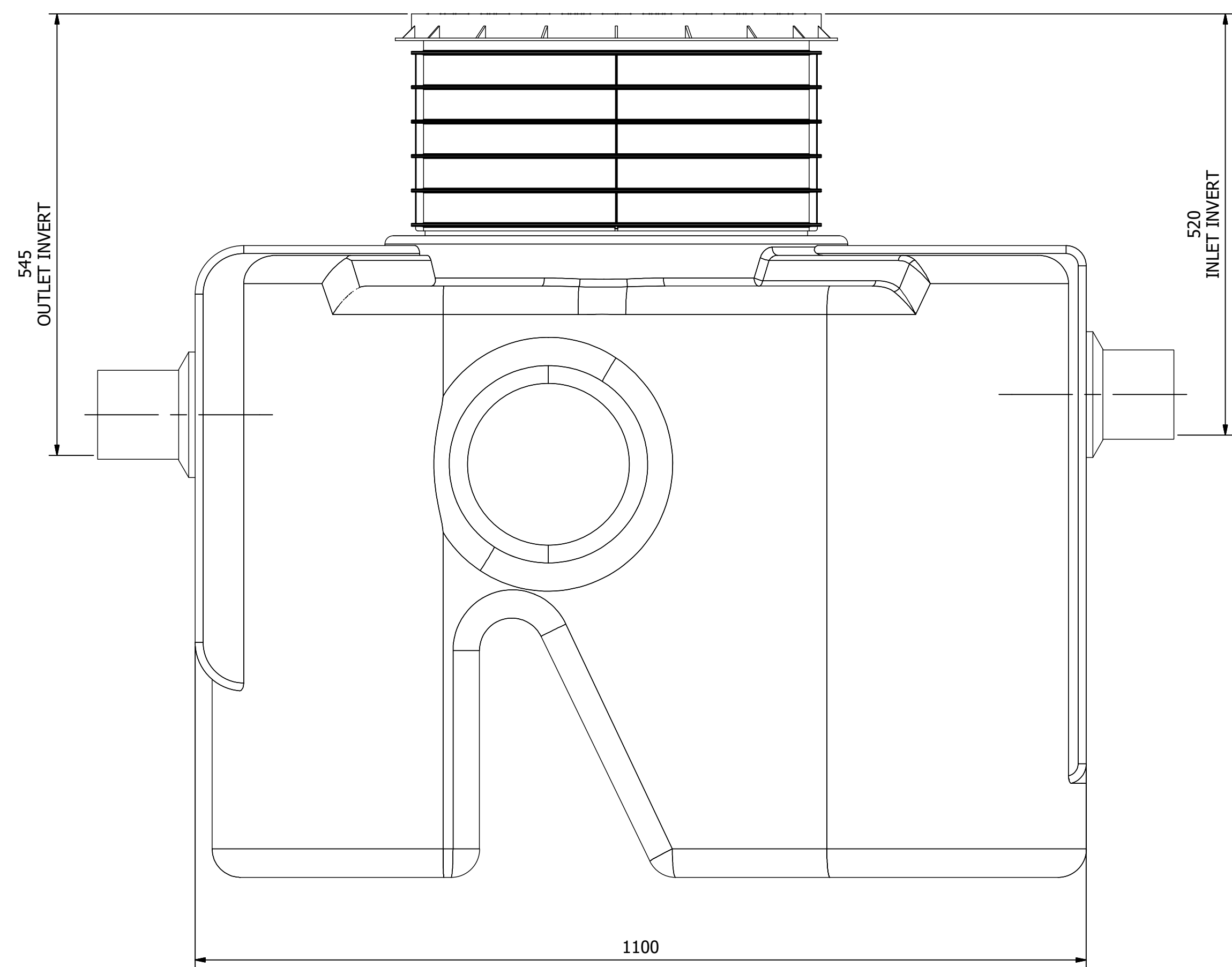
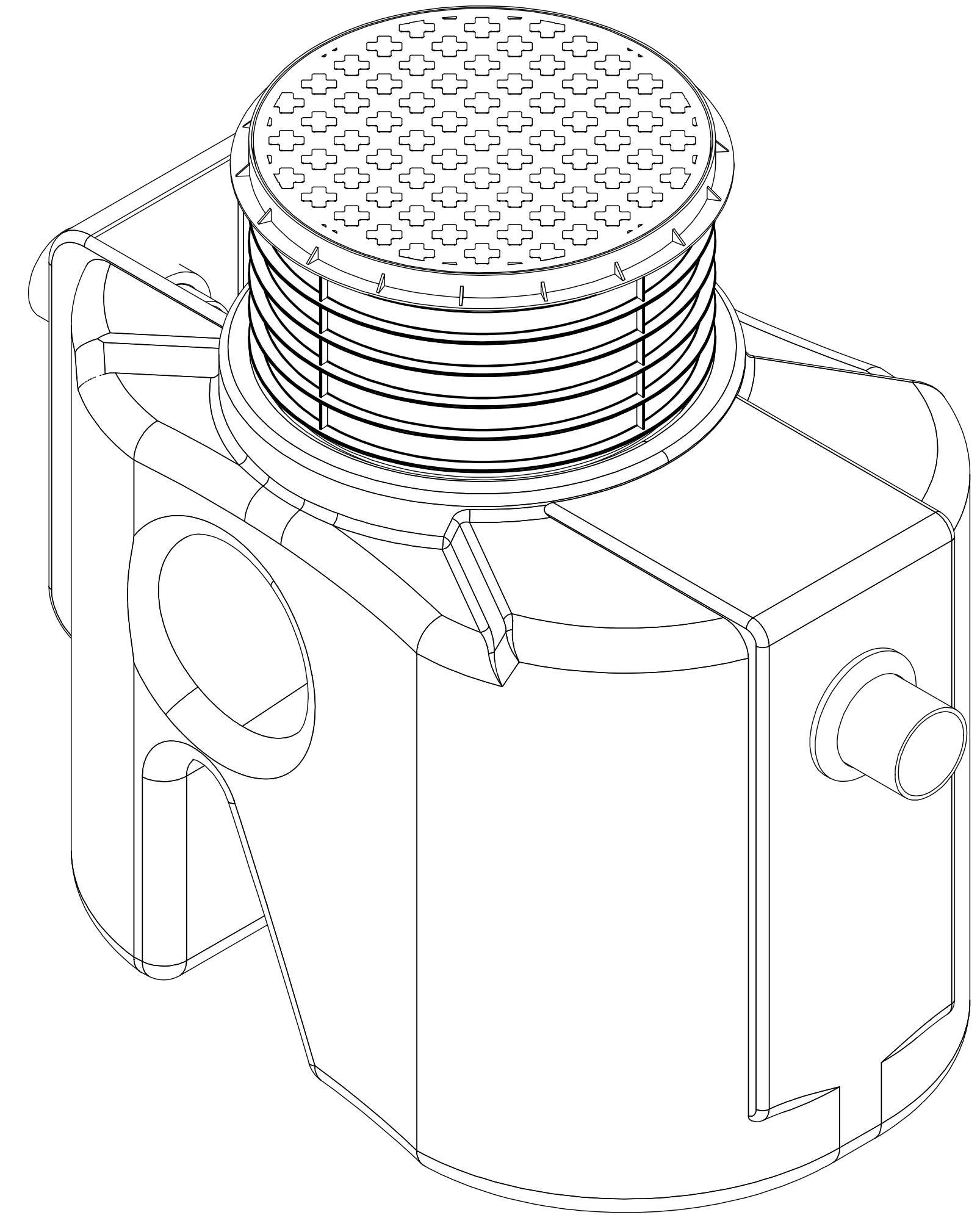
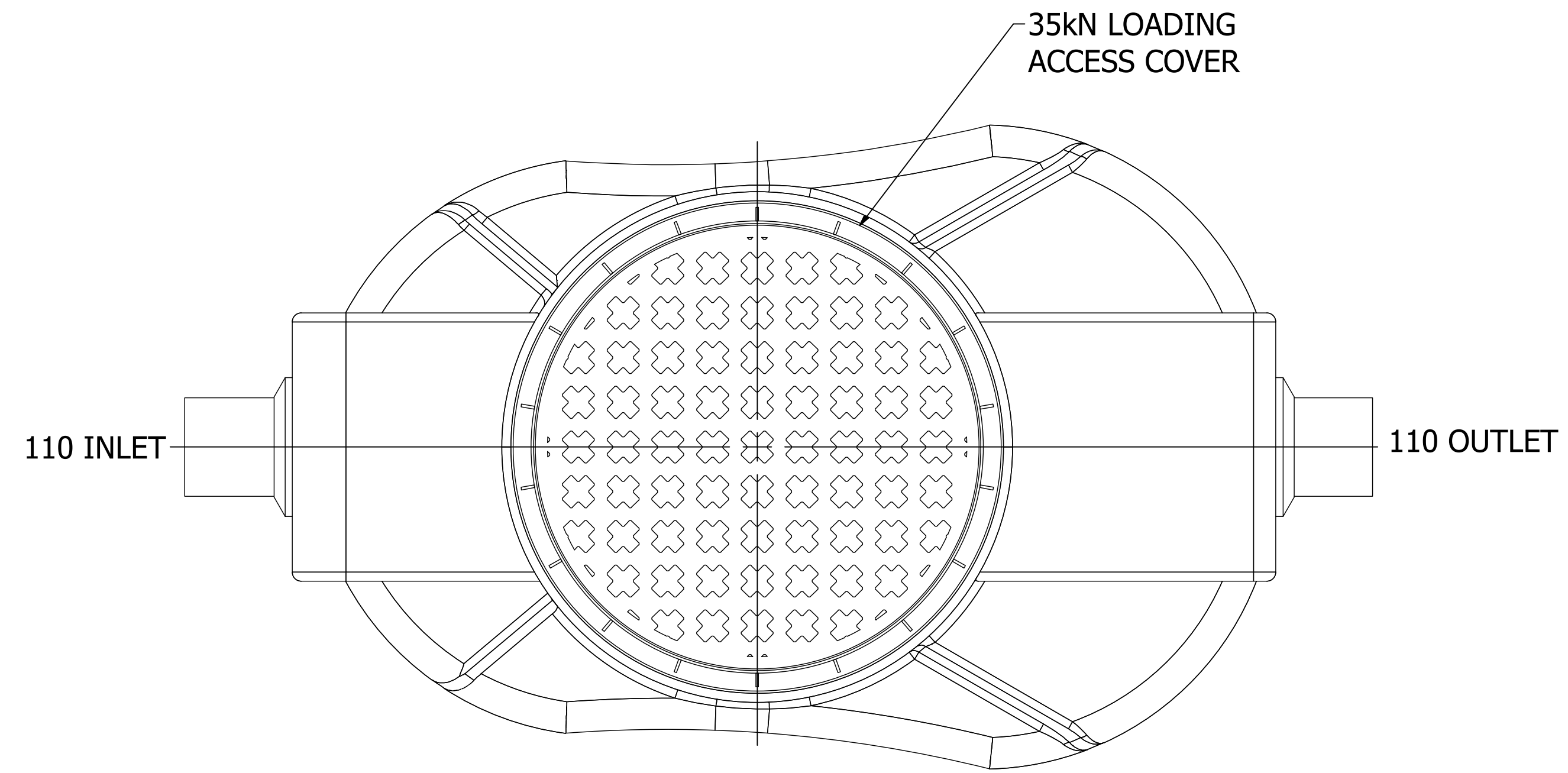


8 7 6 5 4 3 2 1



DRAWN BY:-	R.U.	CONTRACT REFERENCE:-		
DRAWN DATE:-	13/12/2019	N/A		
		PRODUCT DESCRIPTION		
		JUMBO - GREASE TRAP RANGE		
APPROVED	D.A.	SIZE	PRODUCT CODE	REV
		A3	JGT1 - 340 Litres	1
		SCALE	1:5	SHEET 1 OF 1

8 7 6 5 4 3 2 1