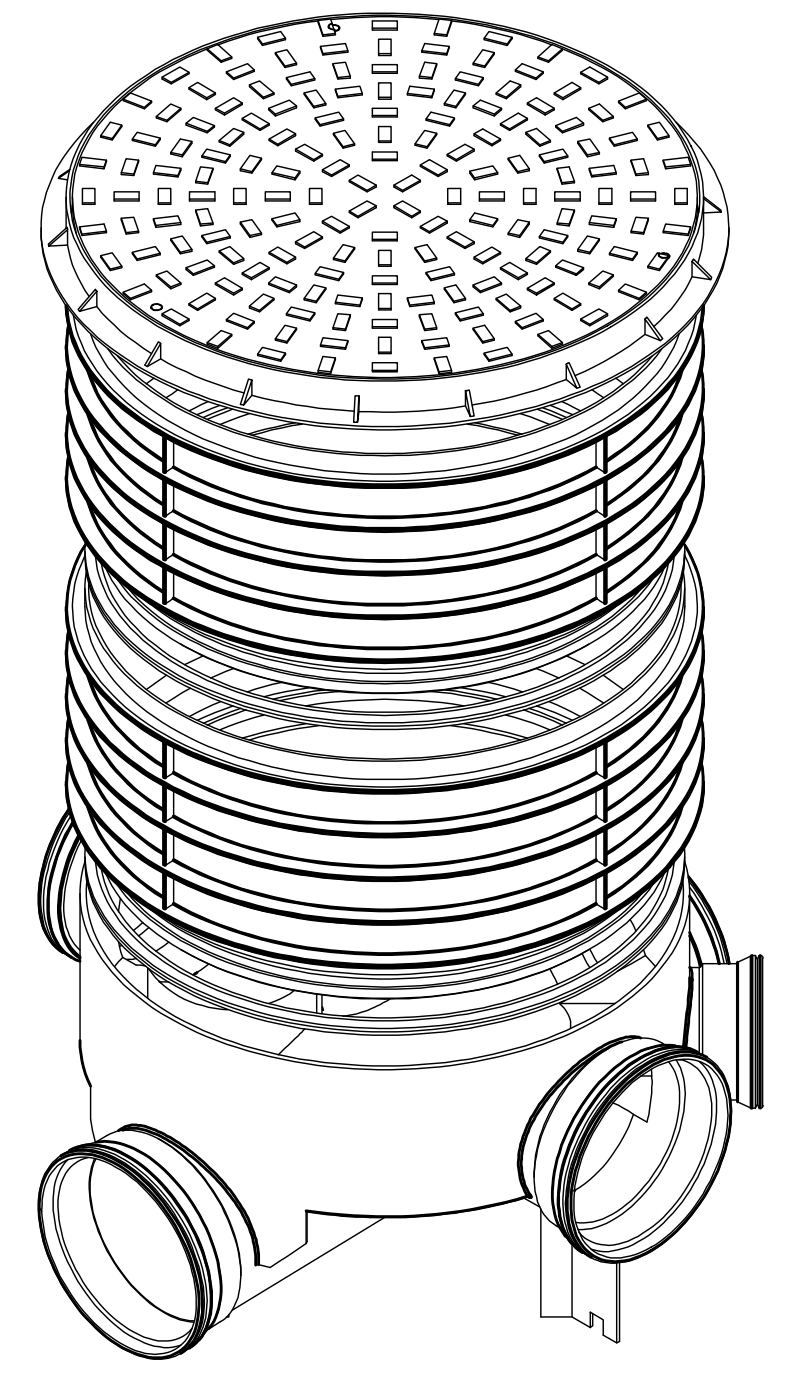
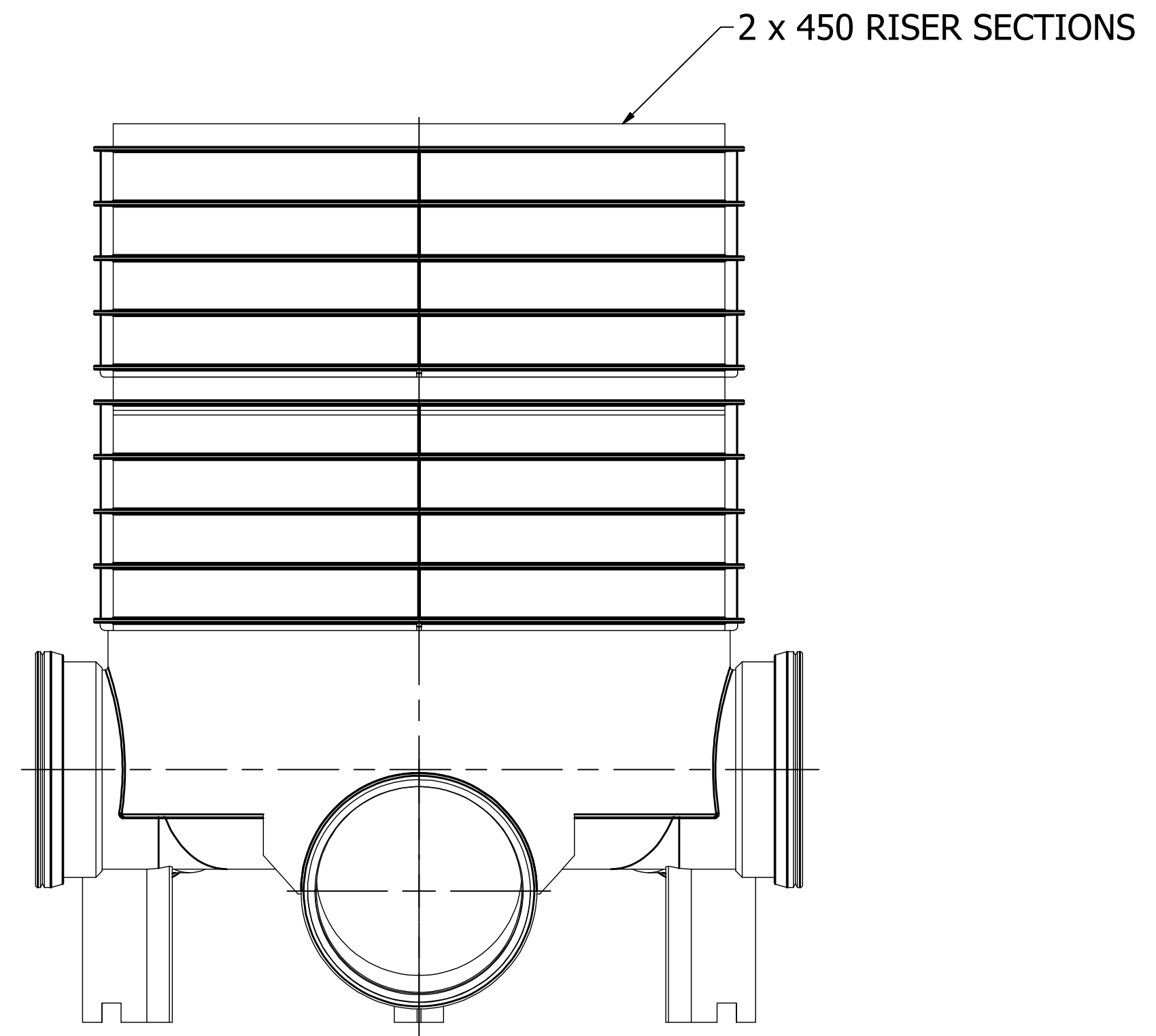
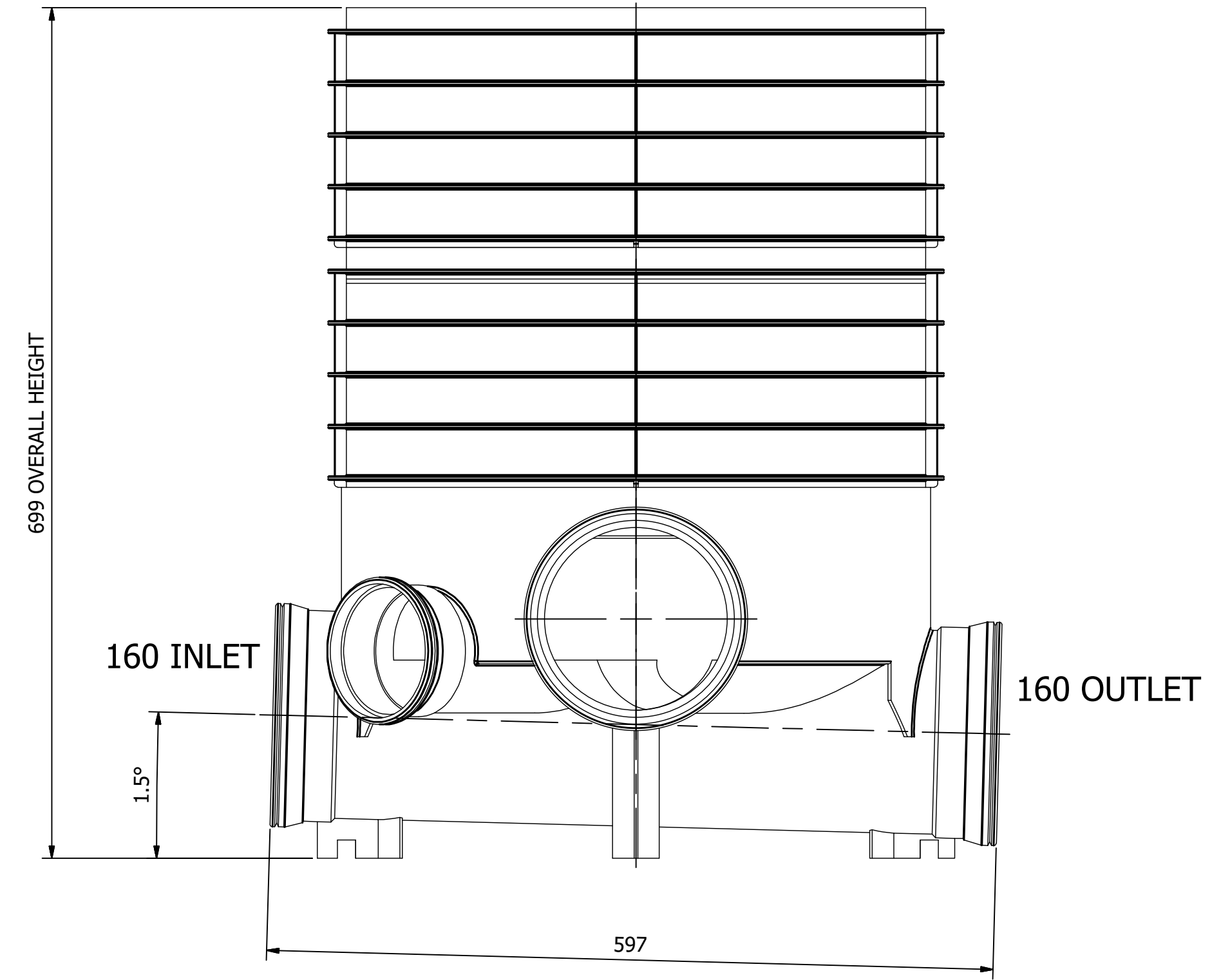
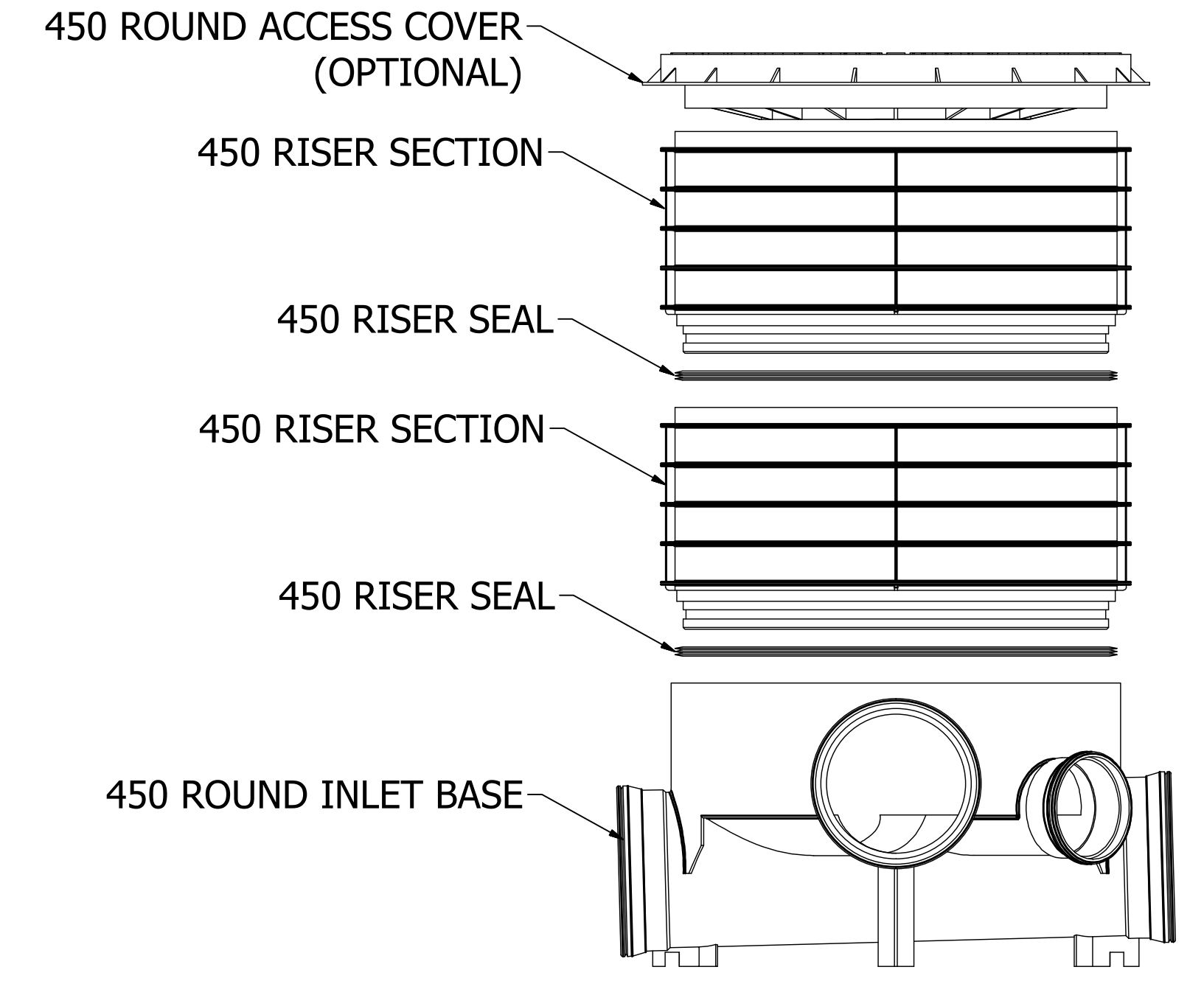
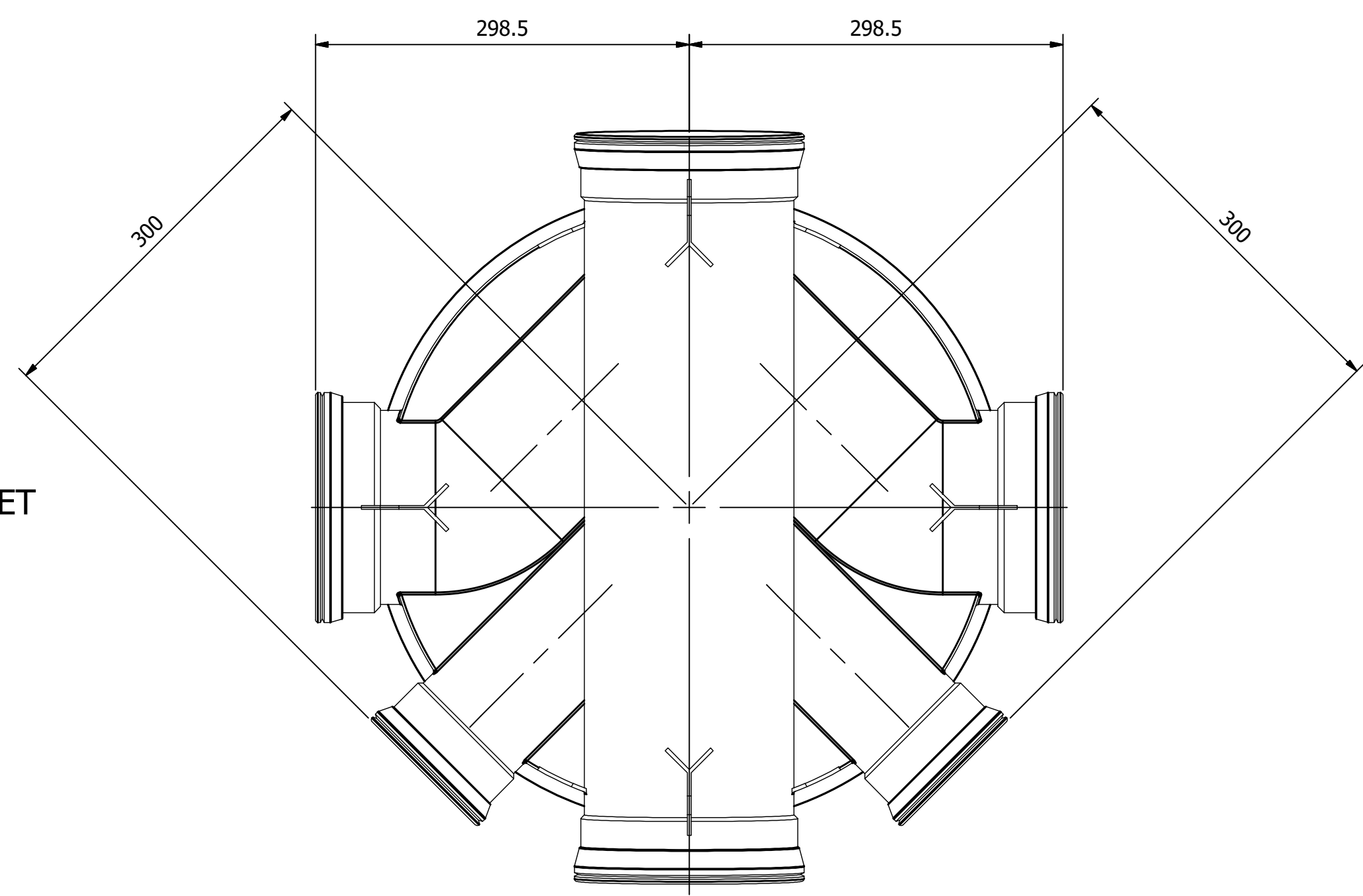
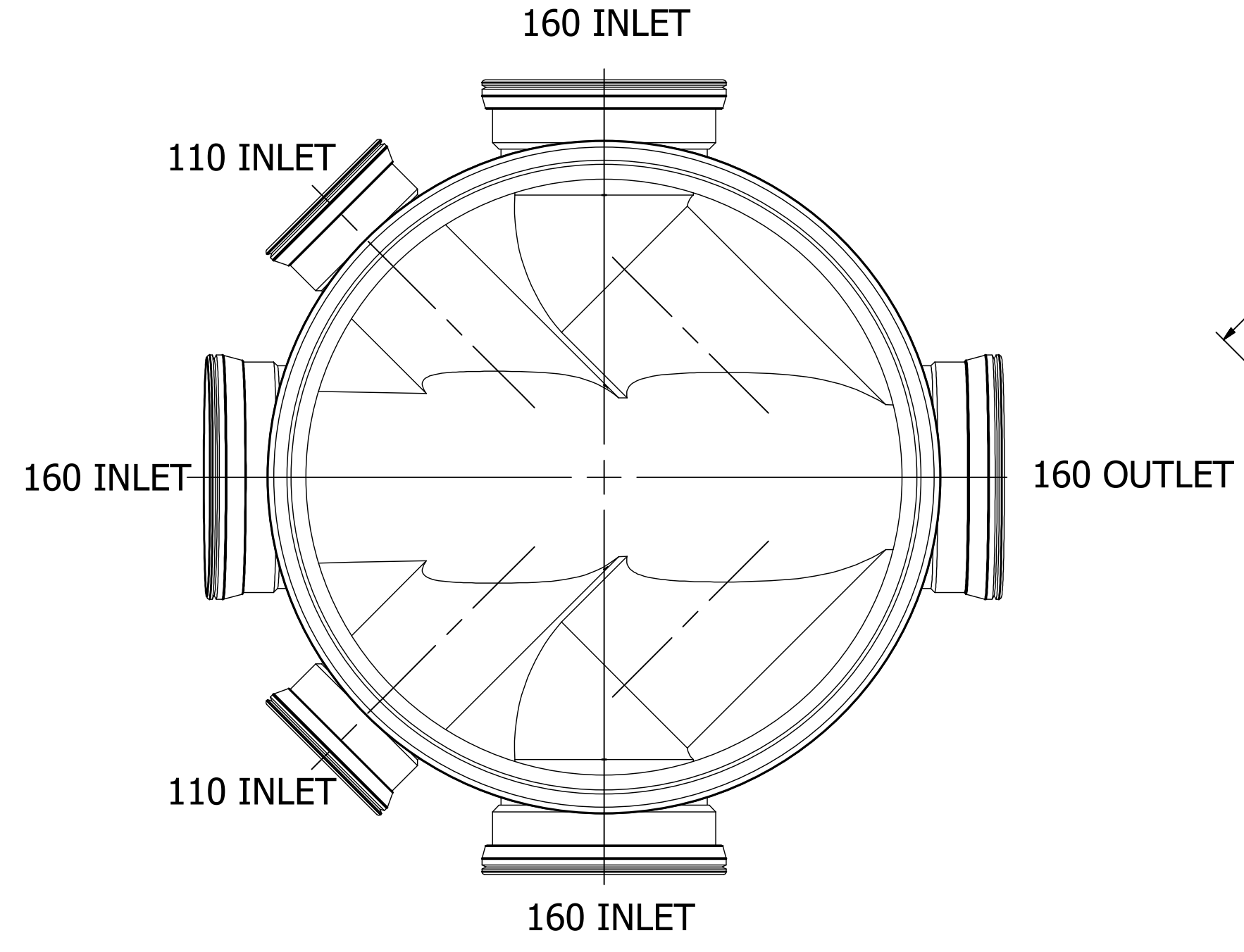


8 7 6 5 4 3 2 1



DRAWN BY:-	R.U.	CONTRACT REFERENCE:-		N/A
DRAWN DATE:-	29/09/2020	PRODUCT DESCRIPTION		
ORANGE RANGE 450 INSPECTION CHAMBER				
APPROVED	D.A.	SIZE	PRODUCT CODE	REV
		A3	AIC160450BR2	1
		SCALE	1:4	SHEET 1 OF 1

8 7 6 5 4 3 2 1