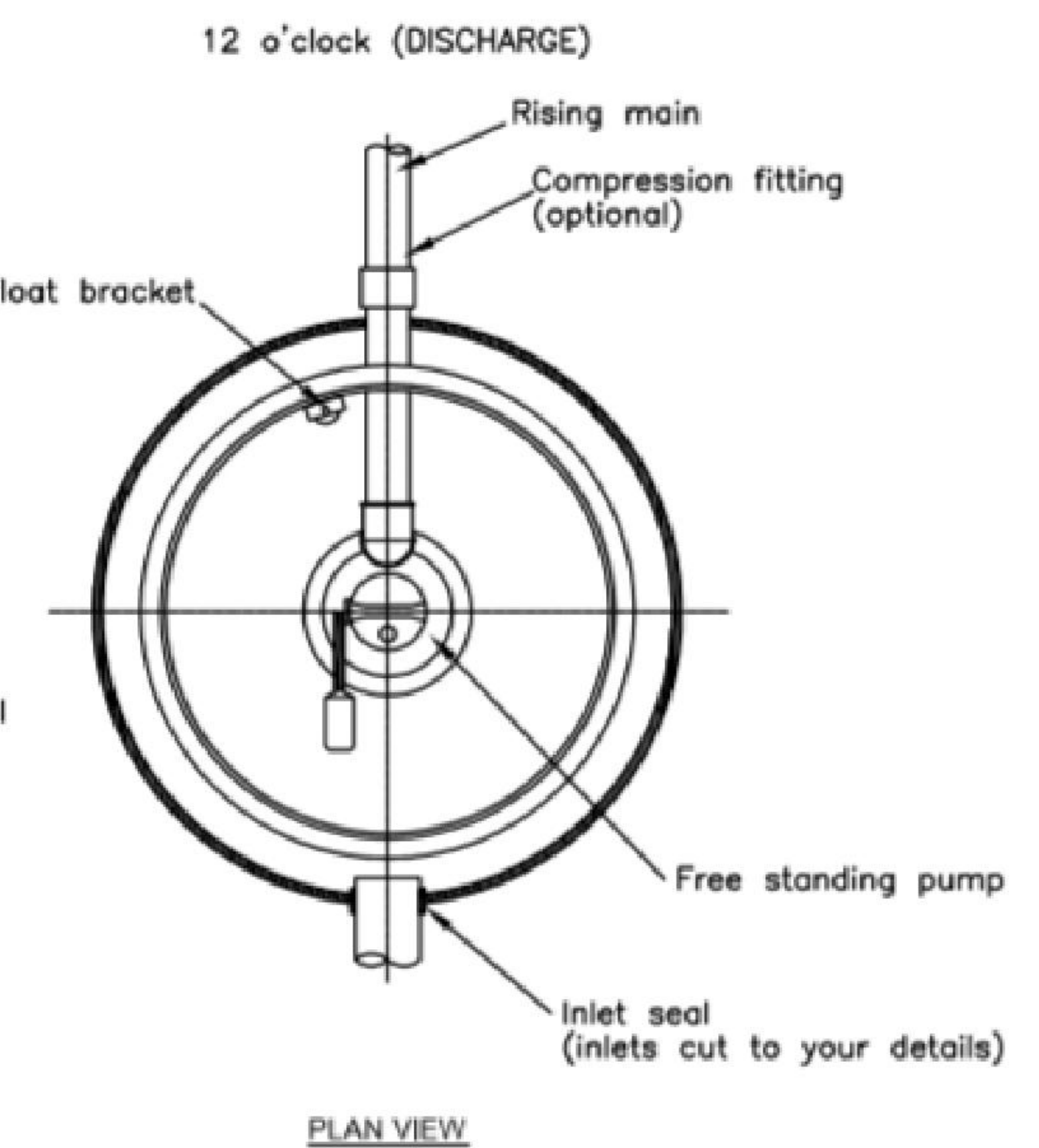
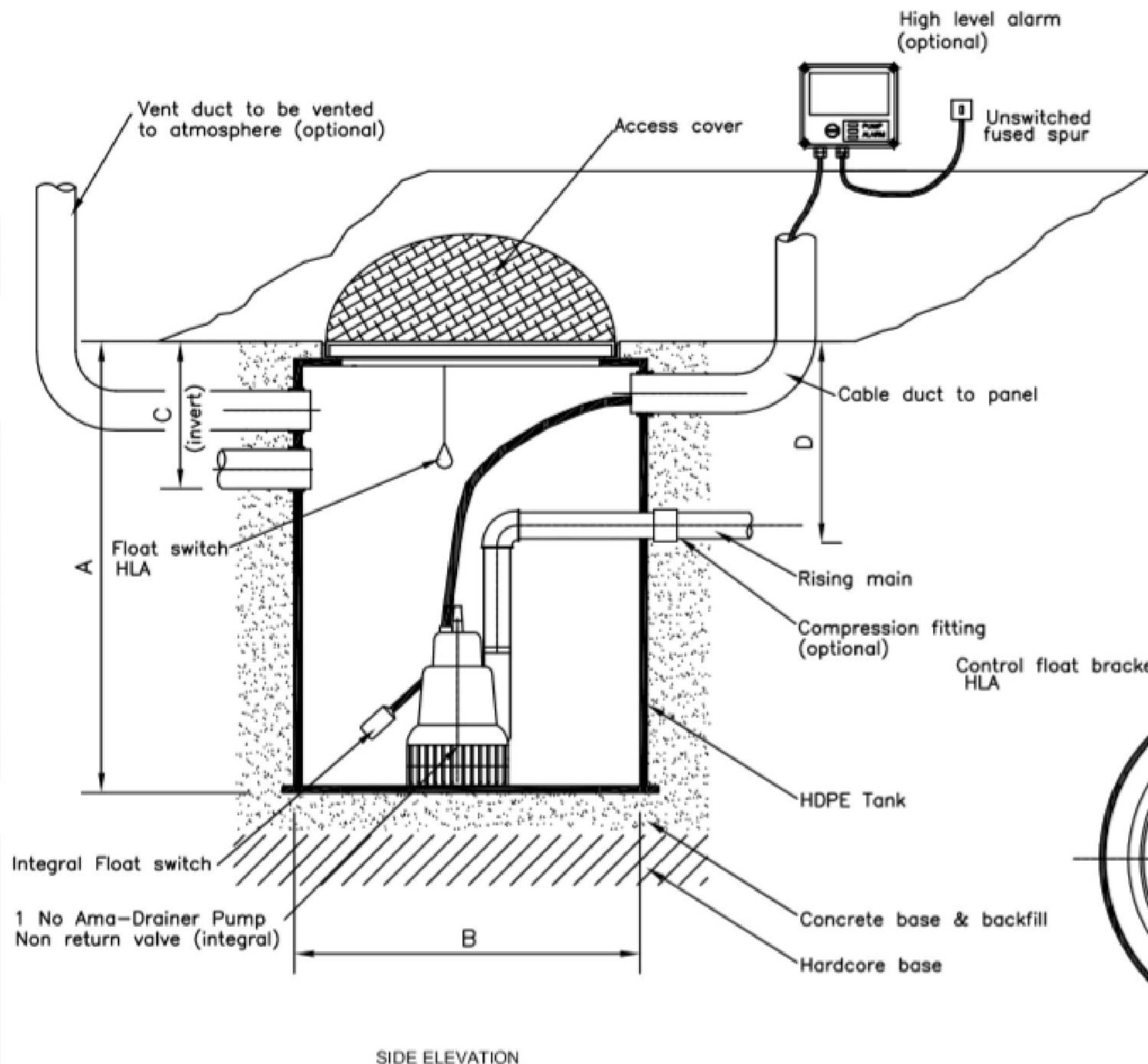
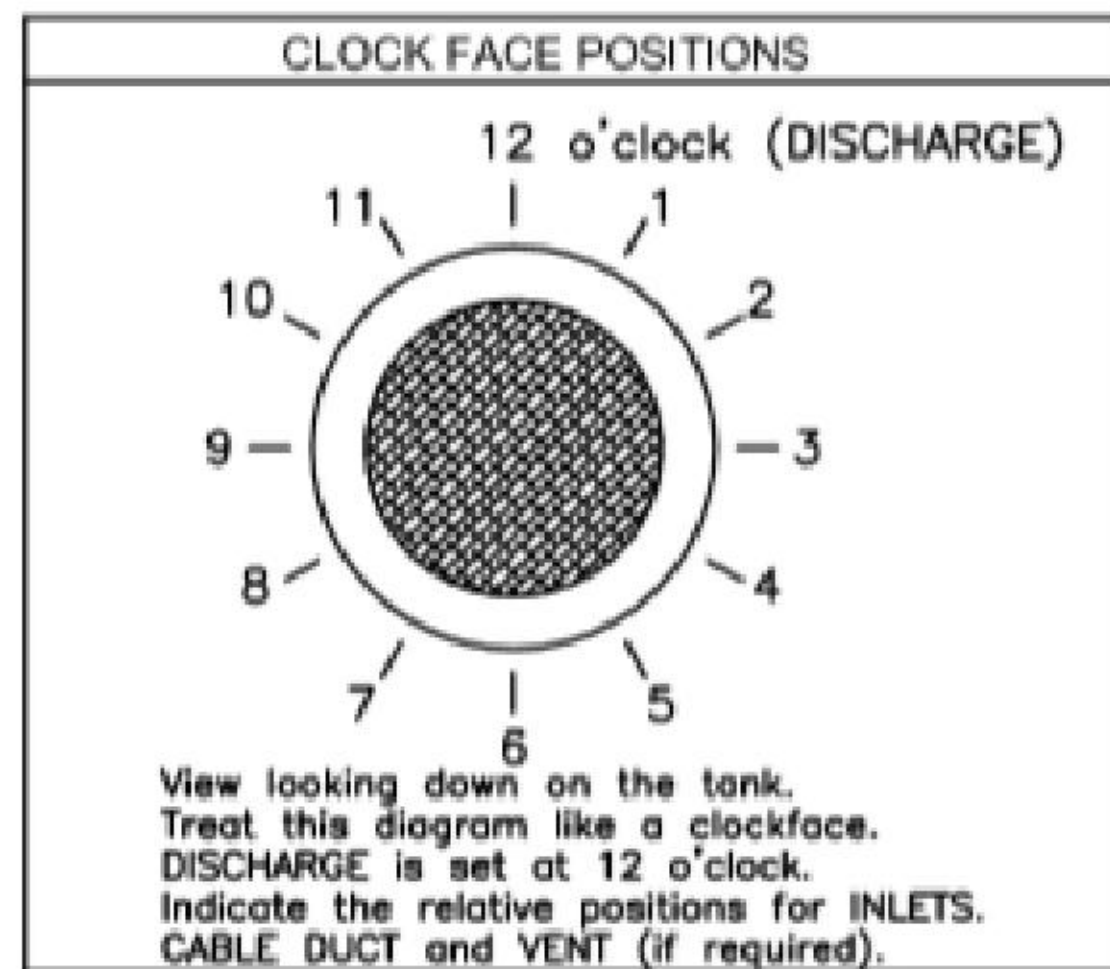


ACCESS COVER (CLEAR OPENINGS)	
DIAMETER (mm)	TYPE
450	Pedestrian

FABRICATION SPECIFICATIONS				
ITEM	INDEX	DEPTH (mm)	DIAMETER (mm)	CLOCK FACE POSITION
Tank depth	A	1500		
Tank ø	B		610	
Inlet	C1	250	110	
Inlet	C2			
Inlet	C3			
Discharge	D	200	32	12
Cable duct			40	
Vent				



Comments

Please note that the inlet can be supplied loose and drilled on site.



DRAWN BY:-	R.U.	CONTRACT REFERENCE:-		N/A
DRAWN DATE:-	02/12/2019	PRODUCT DESCRIPTION		
		NEPTUNE PUMP STATION		
APPROVED	D.A.	SIZE	PRODUCT CODE	REV
		A3	Fontus TFF32450SP	1
		SCALE	SHEET 1 OF 1	