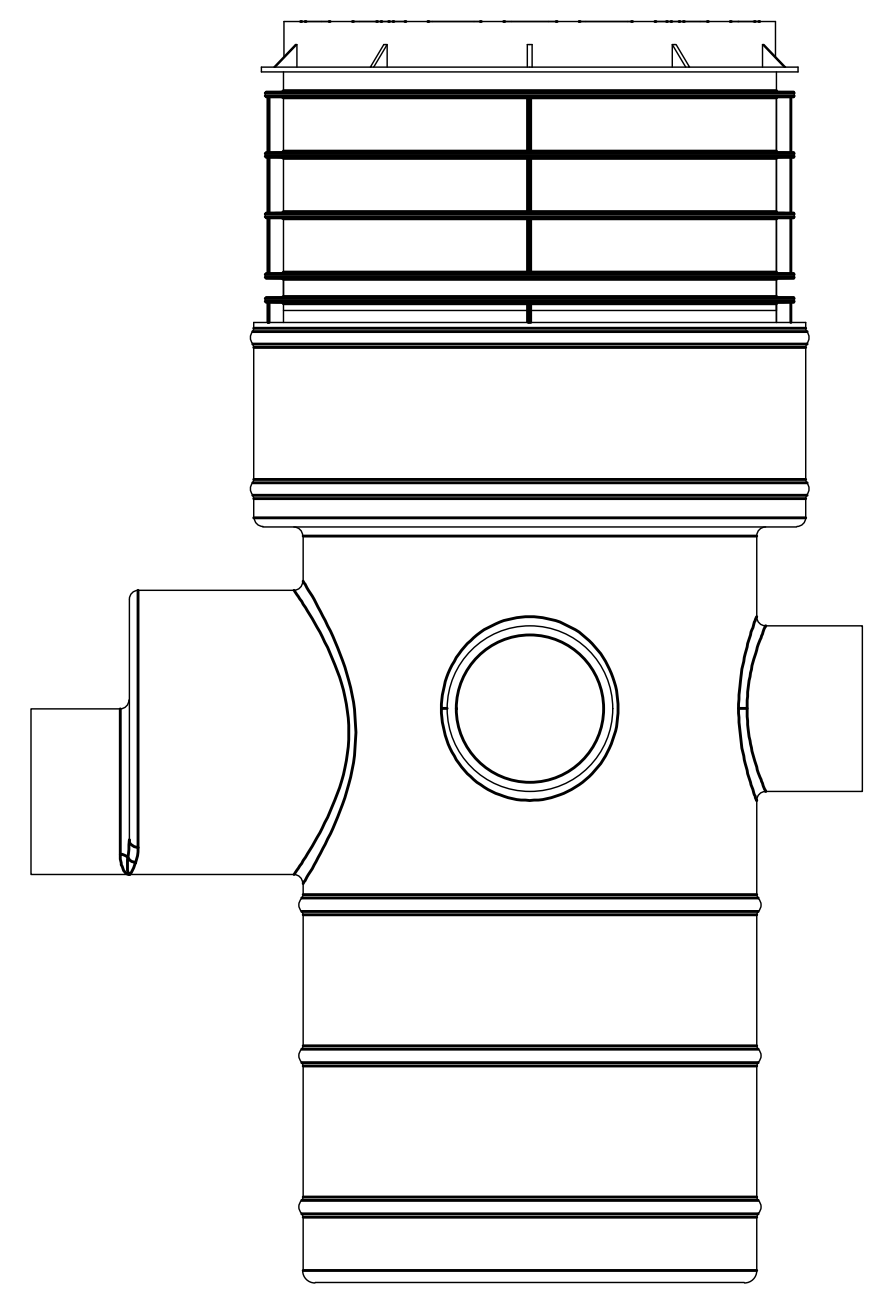


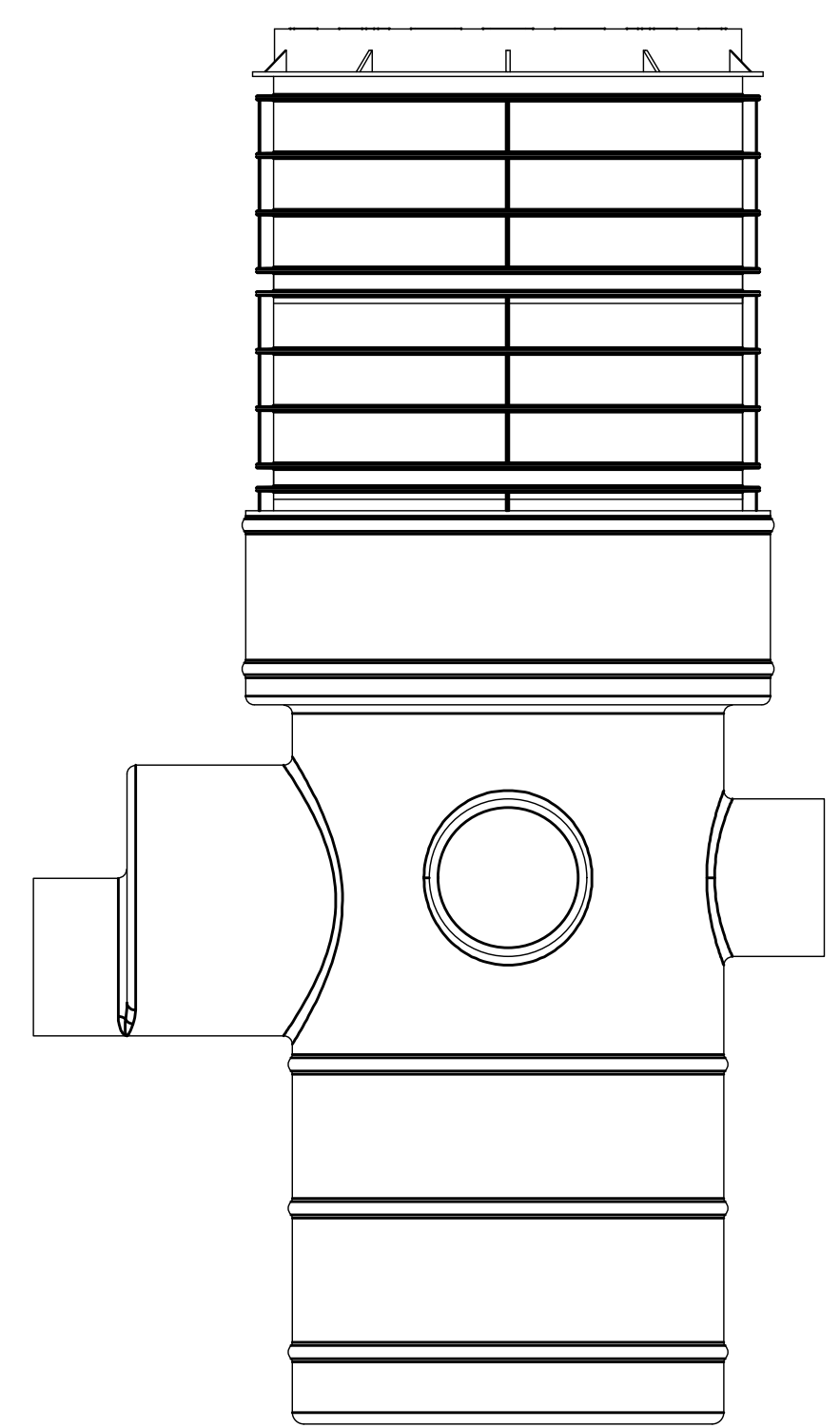
PRODUCT CODE: SS300110

- A OVERALL HEIGHT 695
- B INLET PIPE INVERT 365
- C DEPTH TO INLET PIPE SOFFIT 265



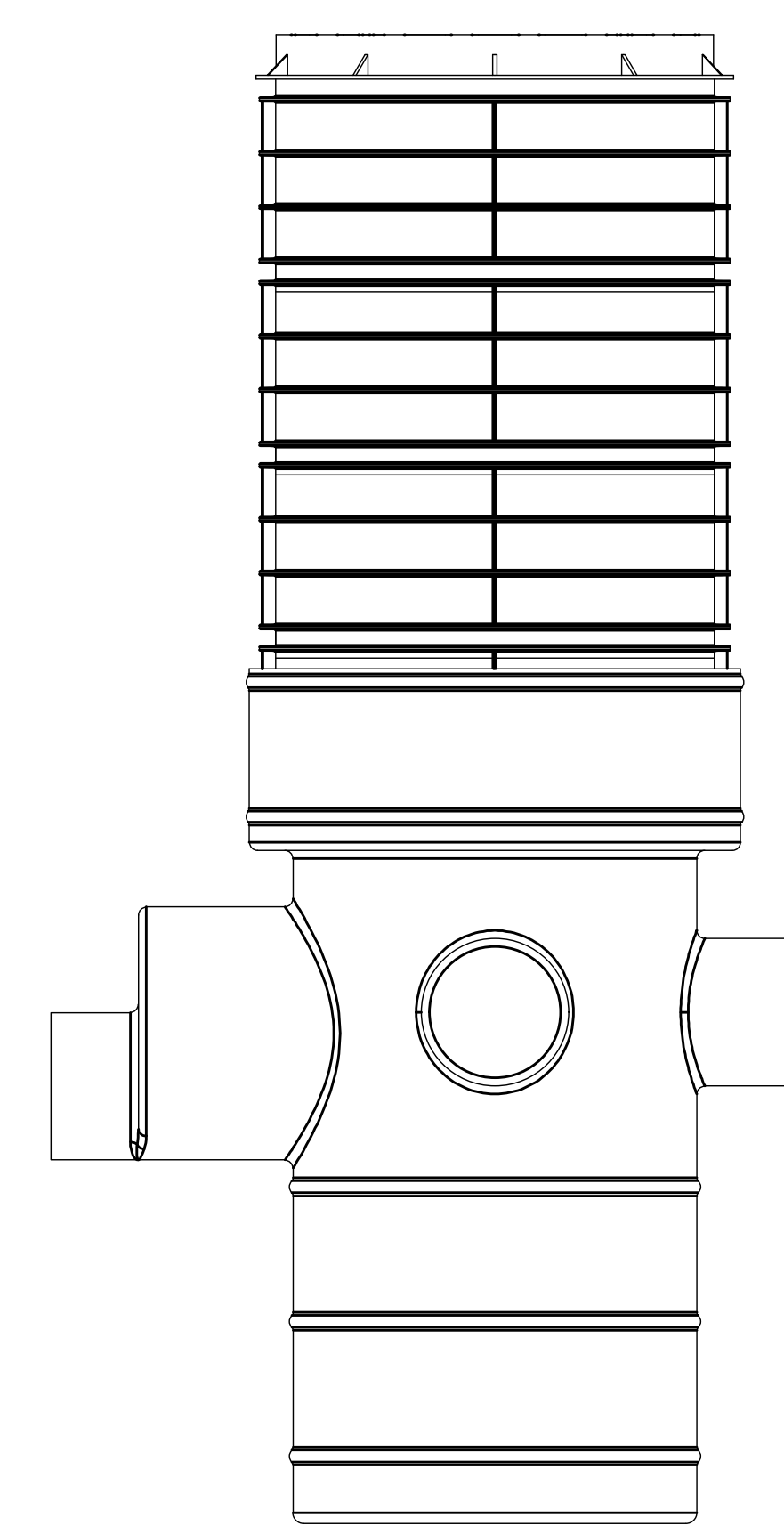
PRODUCT CODE: SS300110ER1

- A OVERALL HEIGHT 835
- B INLET PIPE INVERT 505
- C DEPTH TO INLET PIPE SOFFIT 405



PRODUCT CODE: SS300110ER2

- A OVERALL HEIGHT 970
- B INLET PIPE INVERT 640
- C DEPTH TO INLET PIPE SOFFIT 540



PRODUCT CODE: SS300110ER3

- A OVERALL HEIGHT 1105
- B INLET PIPE INVERT 775
- C DEPTH TO INLET PIPE SOFFIT 675



**MAXIMUM INSTALLATION DEPTH TO COVER LEVEL**  
 - ADOPTABLE - 2000mm TO SOFFIT OF PIPE  
 - NON-ADOPTABLE - 2000mm OVERALL DEPTH  
**COMPLIANCE**  
 - NEW DESIGN & CONSTRUCTION GUIDANCE (DCG)  
 - SEWERS FOR ADOPTION (SFA7) 7TH EDITION  
 - SUITABLE FOR ADOPTABLE AND NON-ADOPTABLE APPLICATIONS  
 - BUILDING REGULATIONS - PART H1

DRAWN BY:-	R.U.	CONTRACT REFERENCE:-	N/A
DRAWN DATE:-	17/12/2020	PRODUCT DESCRIPTION	SILT SENTINEL 300 RANGE
APPROVED	D.A.	PRODUCT CODE	SS300110
		SCALE	1:5
			SHEET 1 OF 1

