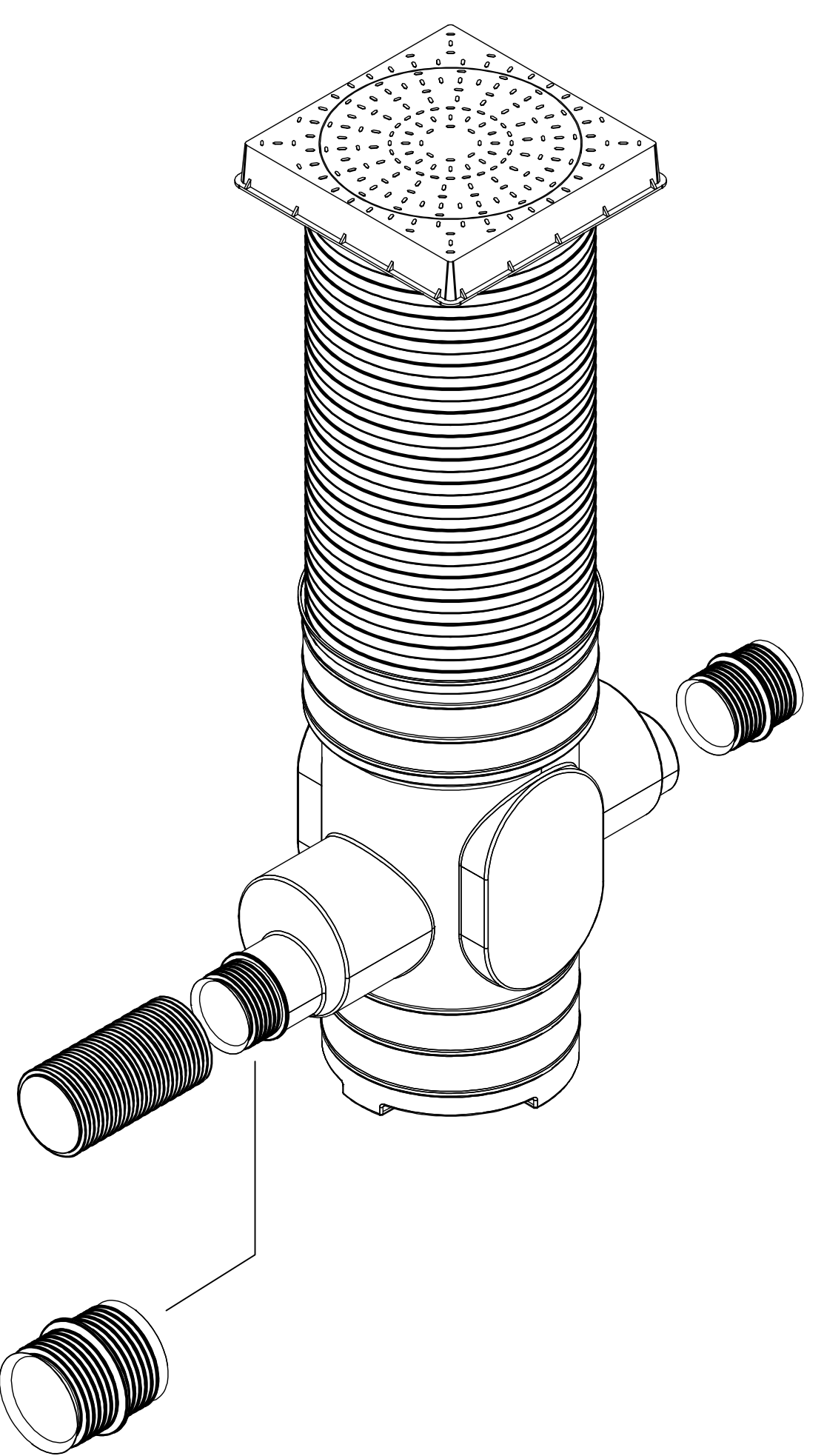
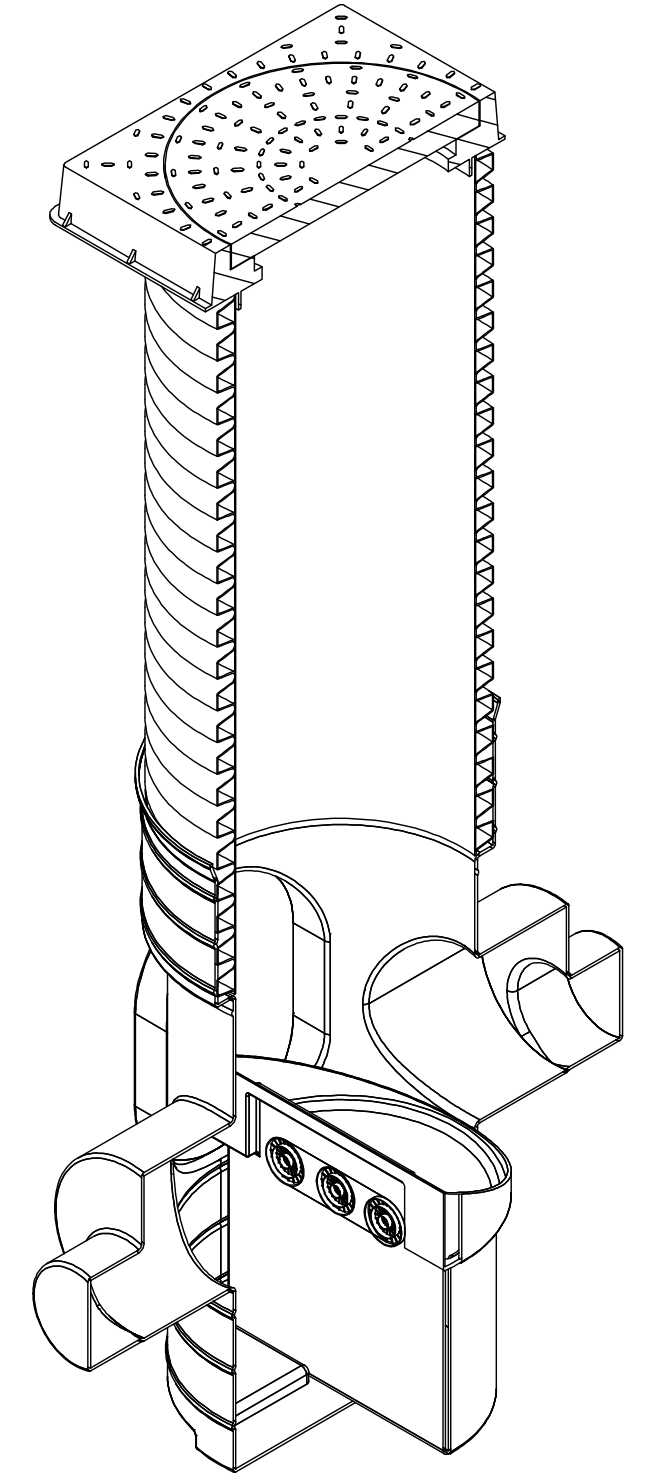


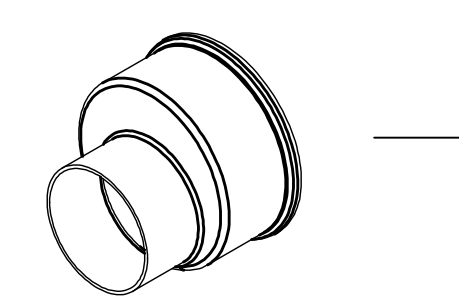
8 7 6 5 4 3 2 1



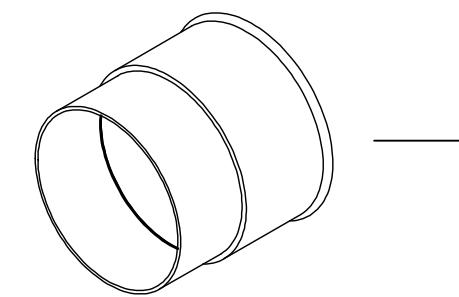
ADAPTOR 150 SPIGOT TO 150 TWINWALL
PRODUCT CODE: TW150150SPIS



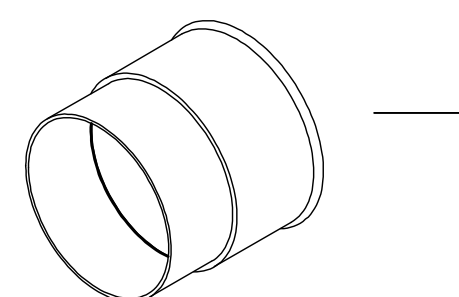
BASKET IS NOT REMOVABLE ON THIS MODEL



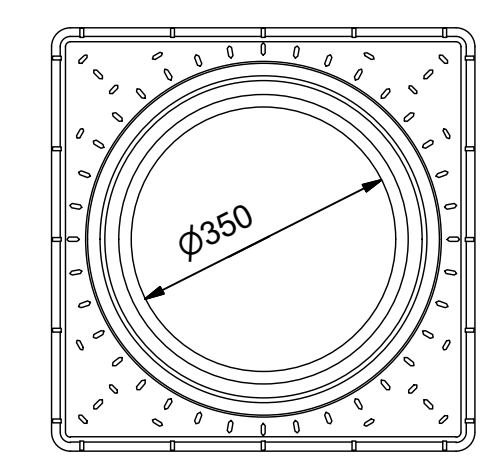
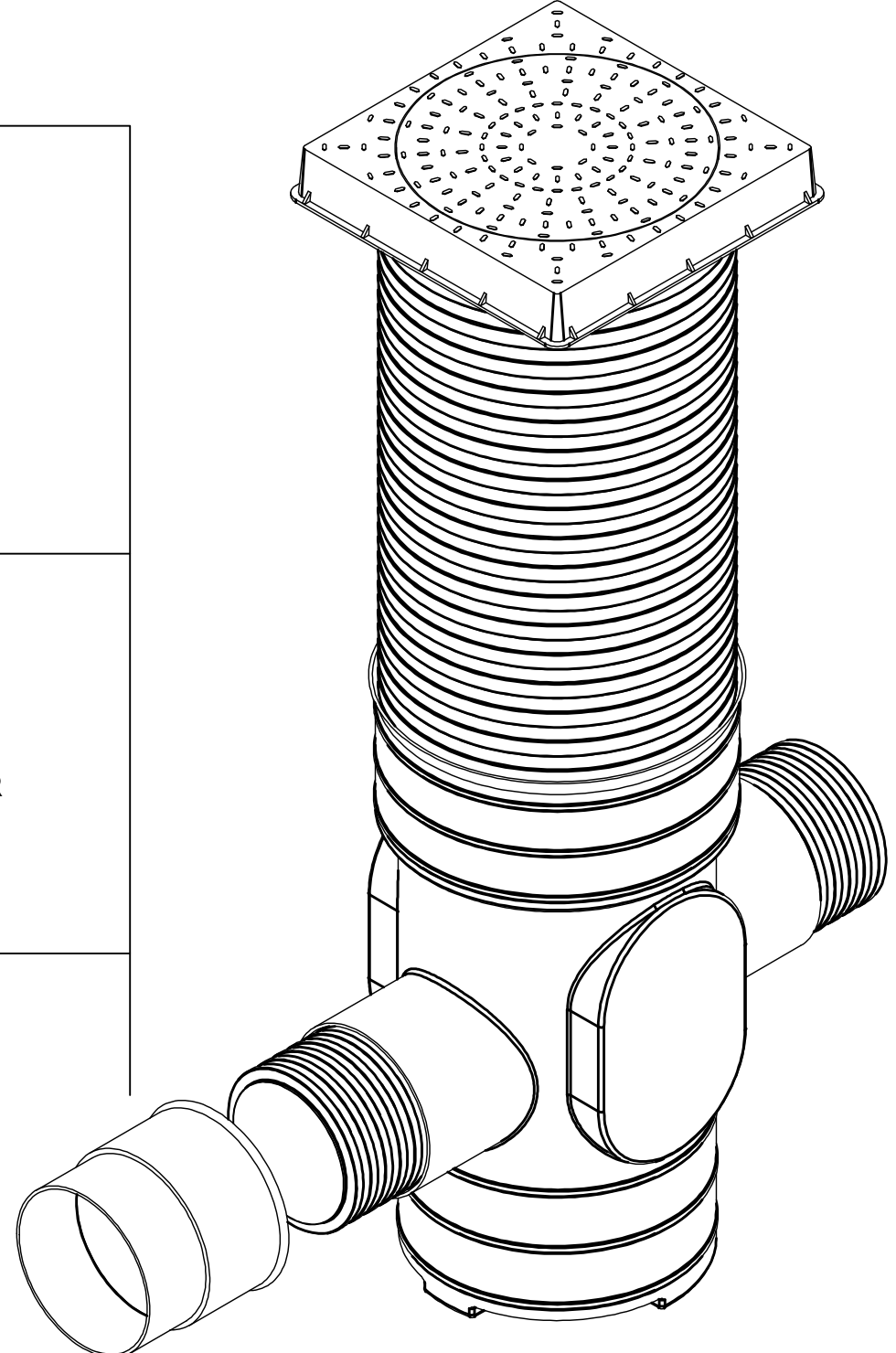
ADAPTOR 225 TWINWALL TO 150 TWINWALL
PRODUCT CODE: TWR225150



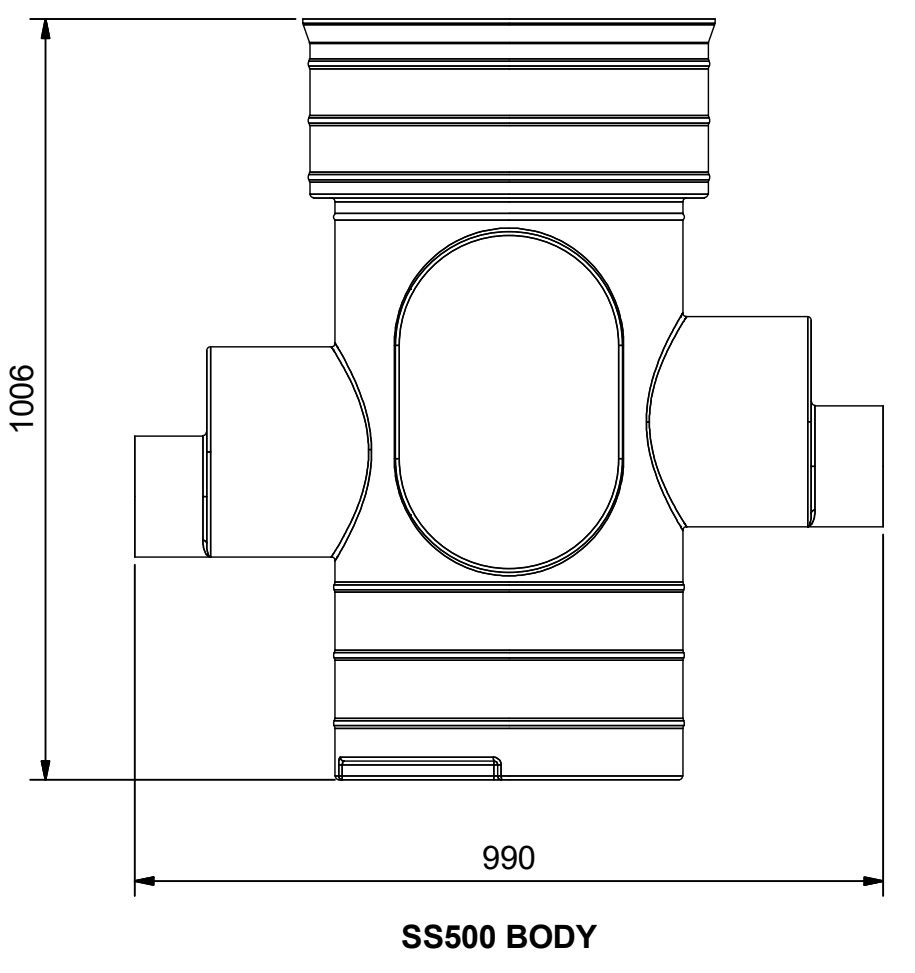
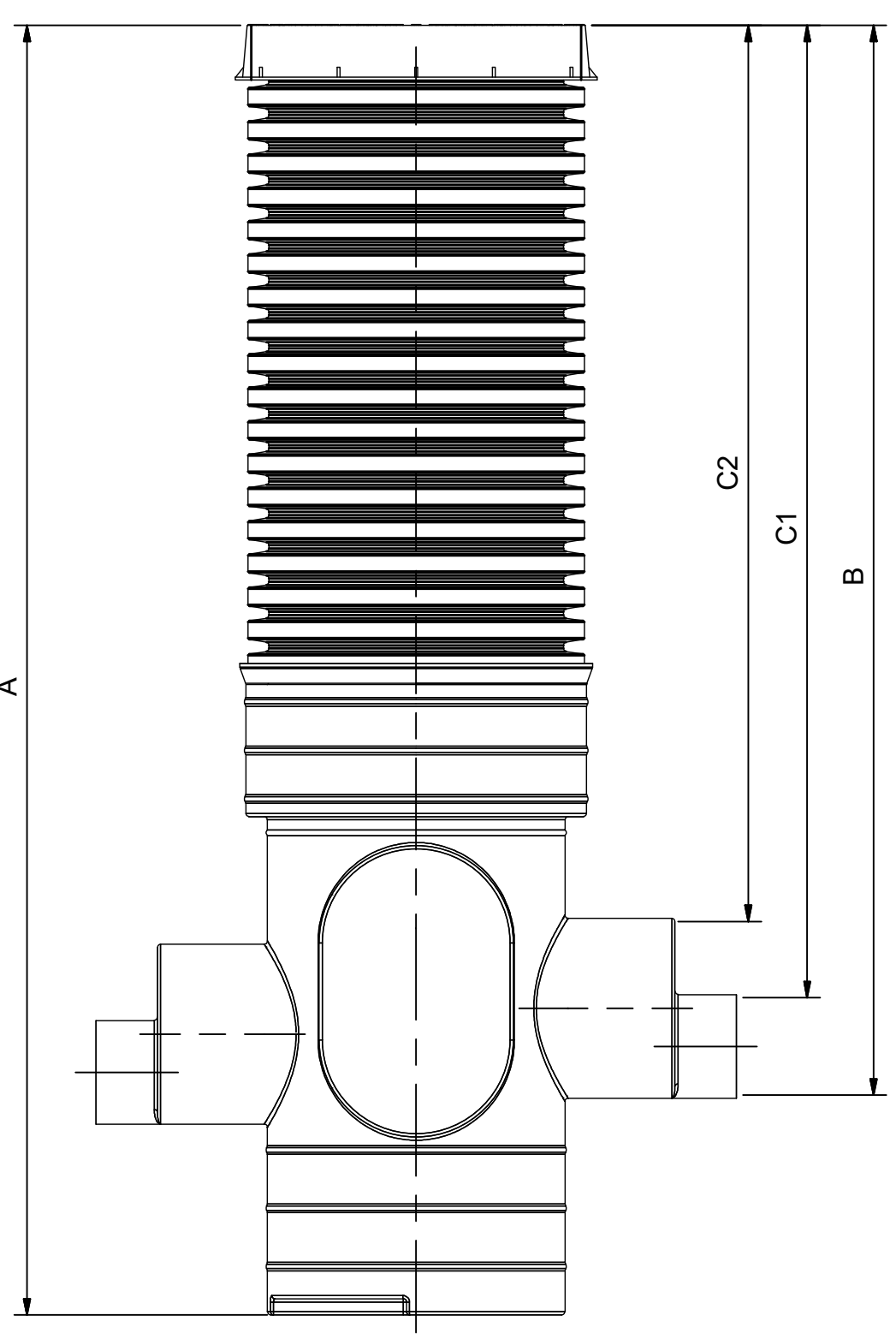
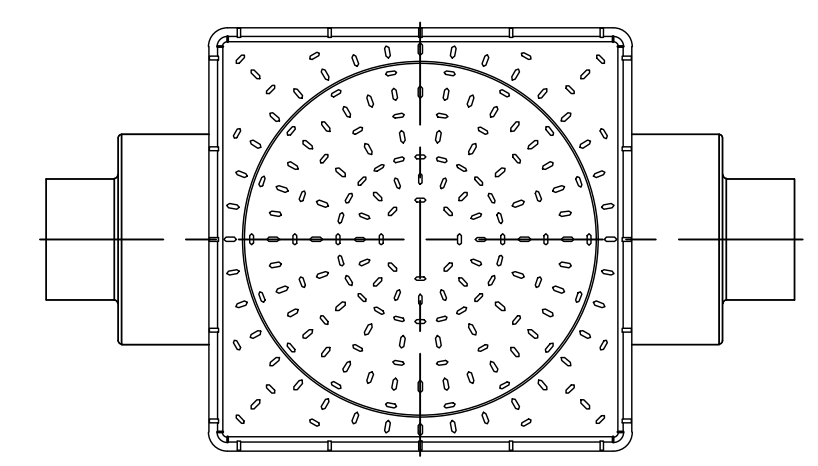
ADAPTOR 225 TWINWALL TO 225 ULTRA RIB
PRODUCT CODE: TW22525UR



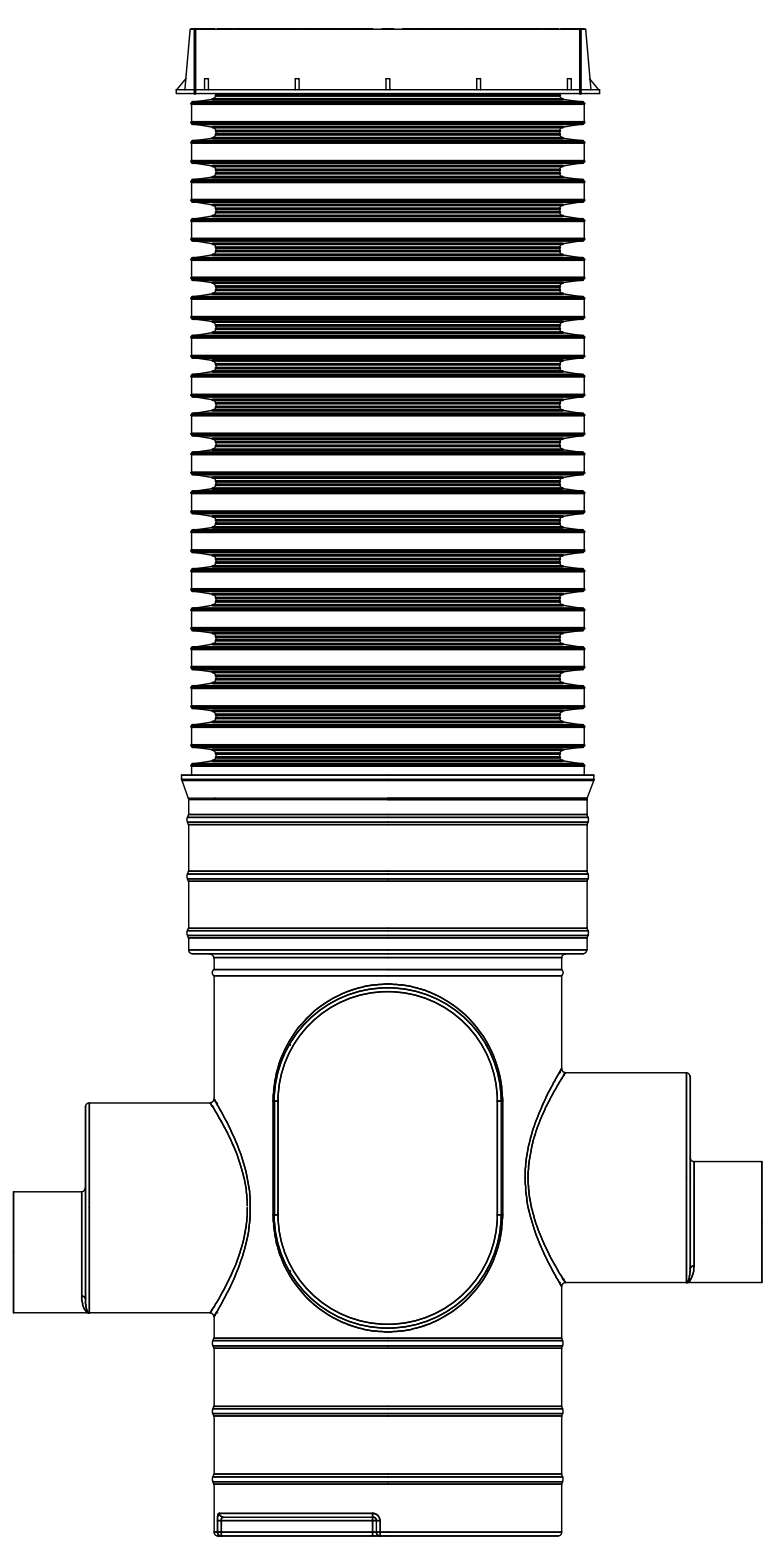
ADAPTOR 225 TWINWALL TO 225 POLYSEWER
PRODUCT CODE: TW22525PS



Ø450mm ACCESS COVER- SQUARE SECTION WITH INTEGRAL 350mm RESTRICTED ACCESS
PRODUCT CODE: 450ACSRA

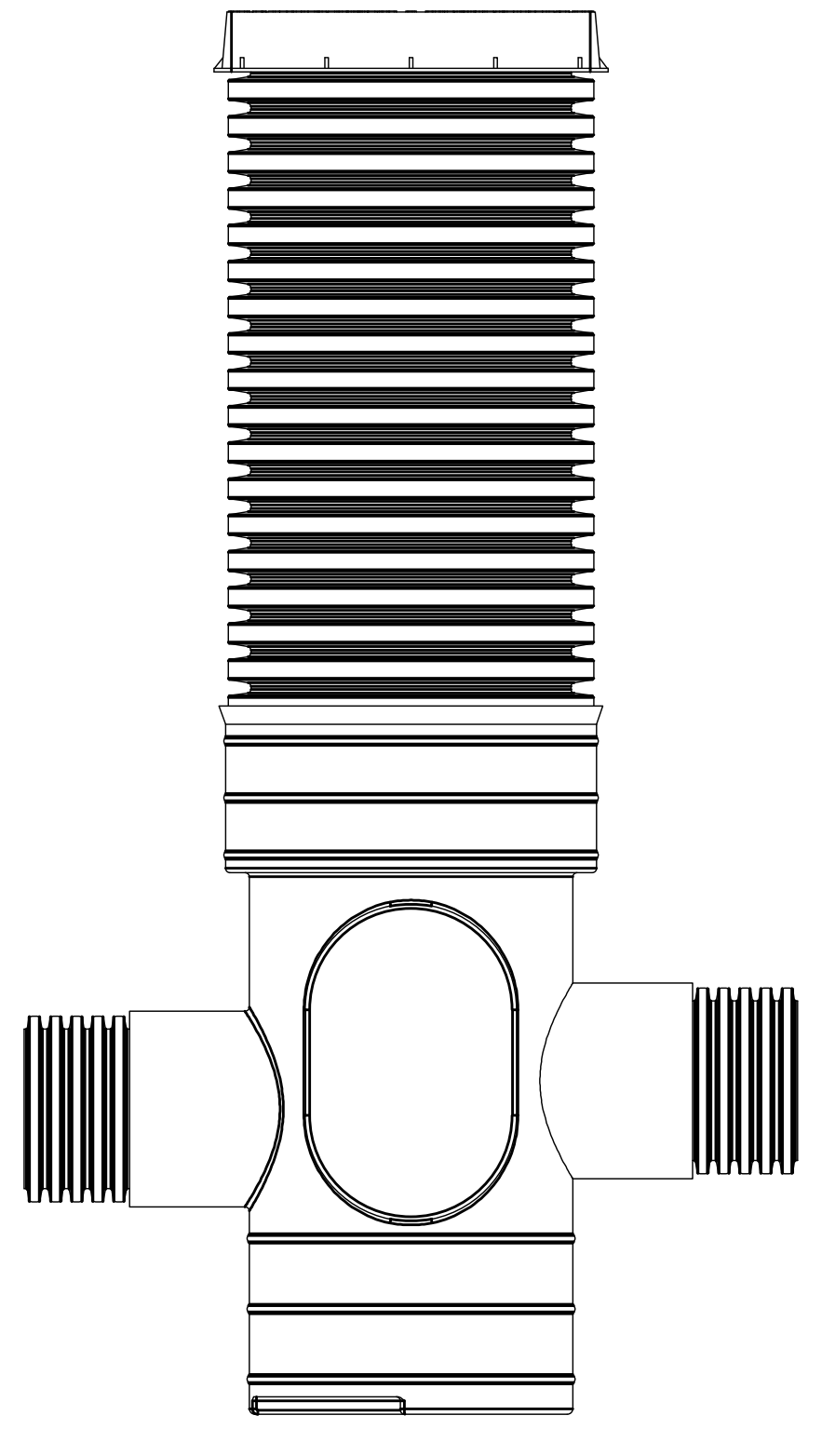


SS500 BODY



PRODUCT CODE: SS500160HD

- A OVERALL HEIGHT 1995
- B INLET PIPE INVERT 1655
- C1 DEPTH TO INLET PIPE SOFFIT 1505



PRODUCT CODE: SS500225HD

- A OVERALL HEIGHT 1995
- B INLET PIPE INVERT 1635
- C2 DEPTH TO INLET PIPE SOFFIT 1410

RESTRICTION CAPS & ACCESS COVERS

NEW DESIGN & CONSTRUCTION GUIDANCE (DCG) - THIS HAS EFFECTIVELY SUPERCEDED SFA7 AND STATES THAT ACCESS MUST BE RESTRICTED TO A MAXIMUM OF Ø350mm, ON ANY TYPE D OR E INSPECTION CHAMBER, DEEPER THAN 1000mm FROM COVER LEVEL TO PIPE SOFFIT.

PLEASE NOTE: BOTH THE SILT SENTINEL 500HD MODELS ARE SUPPLIED WITH A 450ACSRA - SQUARE SECTION ACCESS COVER, WHICH HAS A RESTRICTED INTERNAL OPENING OF 350mm, TO COMPLY WITH DCG.

DCG ALSO STATES, THAT A SUITABLE **TEMPORARY COVER** MUST BE INSTALLED TO PREVENT SITE RUBBLE AND DEBRIS ENTERING THE CHAMBER DURING CONSTRUCTION. SO AS THE UNITS ARE SUPPLIED TO SITE WITH COVERS INSTALLED, WE SUGGEST THEY ARE LEFT IN SITU DURING CONSTRUCTION.



- MAXIMUM INSTALLATION DEPTH TO COVER LEVEL**
- ADOPTABLE - 2000mm TO SOFFIT OF PIPE
 - NON-ADOPTABLE - 3000mm OVERALL DEPTH
- COMPLIANCE**
- NEW DESIGN & CONSTRUCTION GUIDANCE (DCG)
 - SEWERS FOR ADOPTION (SFA7) 7TH EDITION
 - SUITABLE FOR ADOPTABLE AND NON-ADOPTABLE APPLICATIONS
 - BUILDING REGULATIONS - PART H1

DRAWN BY:-	R.U.	CONTRACT REFERENCE:-	
DRAWN DATE:-	14/12/2020	N/A	
APPROVED		PRODUCT DESCRIPTION	
D.A.		SILT SENTINEL500 RANGE	
		PRODUCT CODE	REV
		SS500HD	2
SCALE 1:10		SHEET 1 OF 1	



8 7 6 5 4 3 2 1