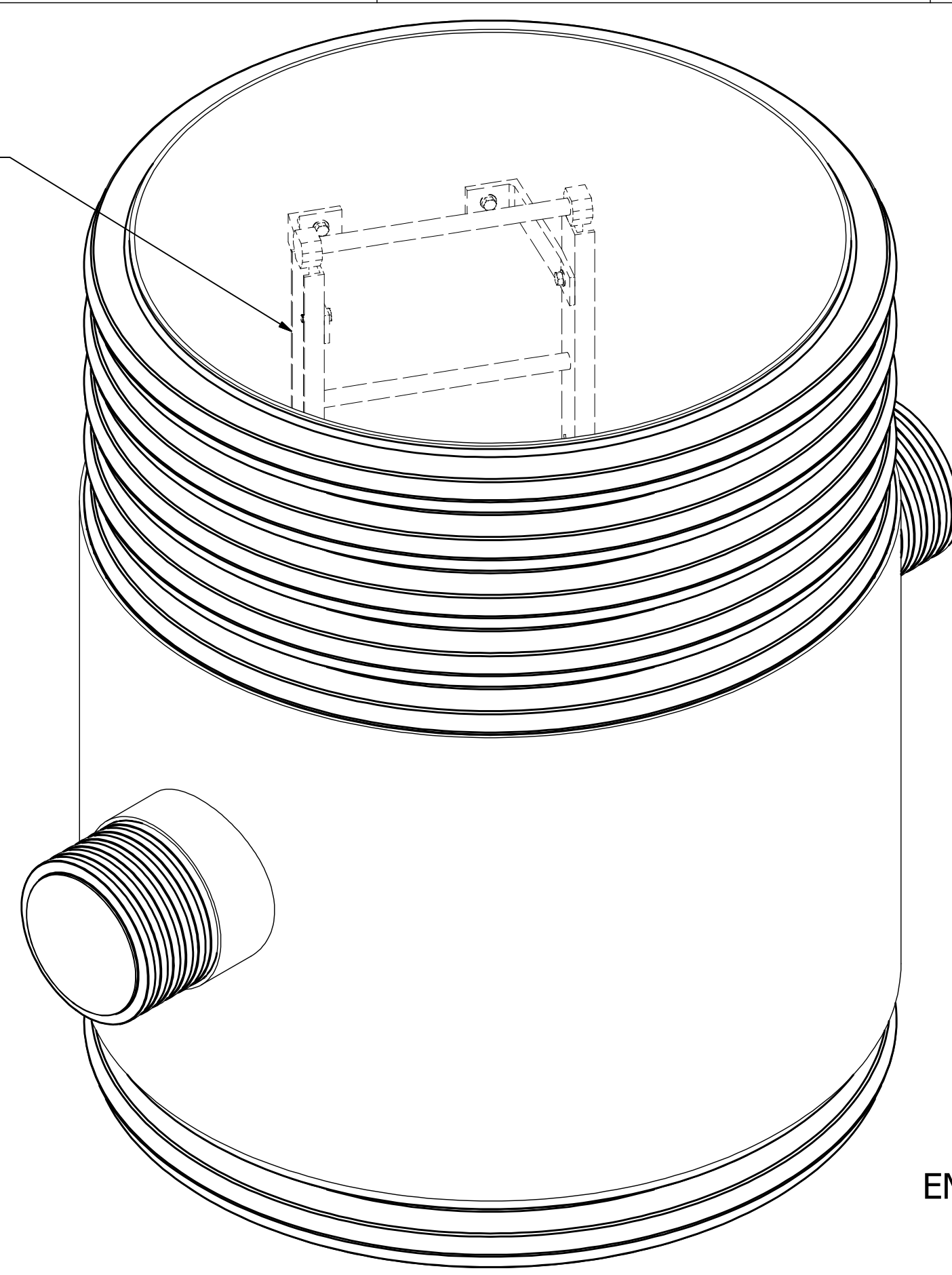
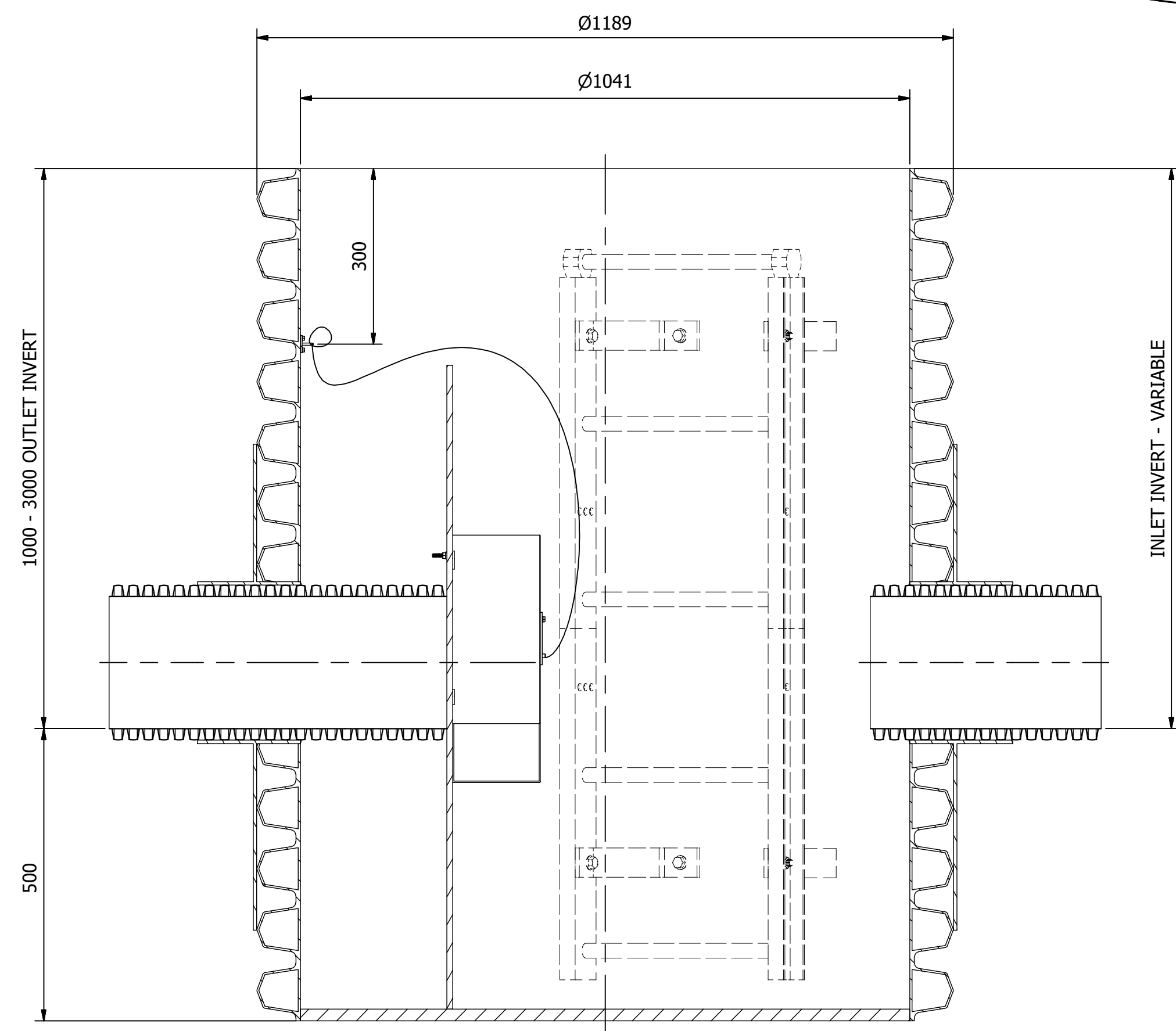
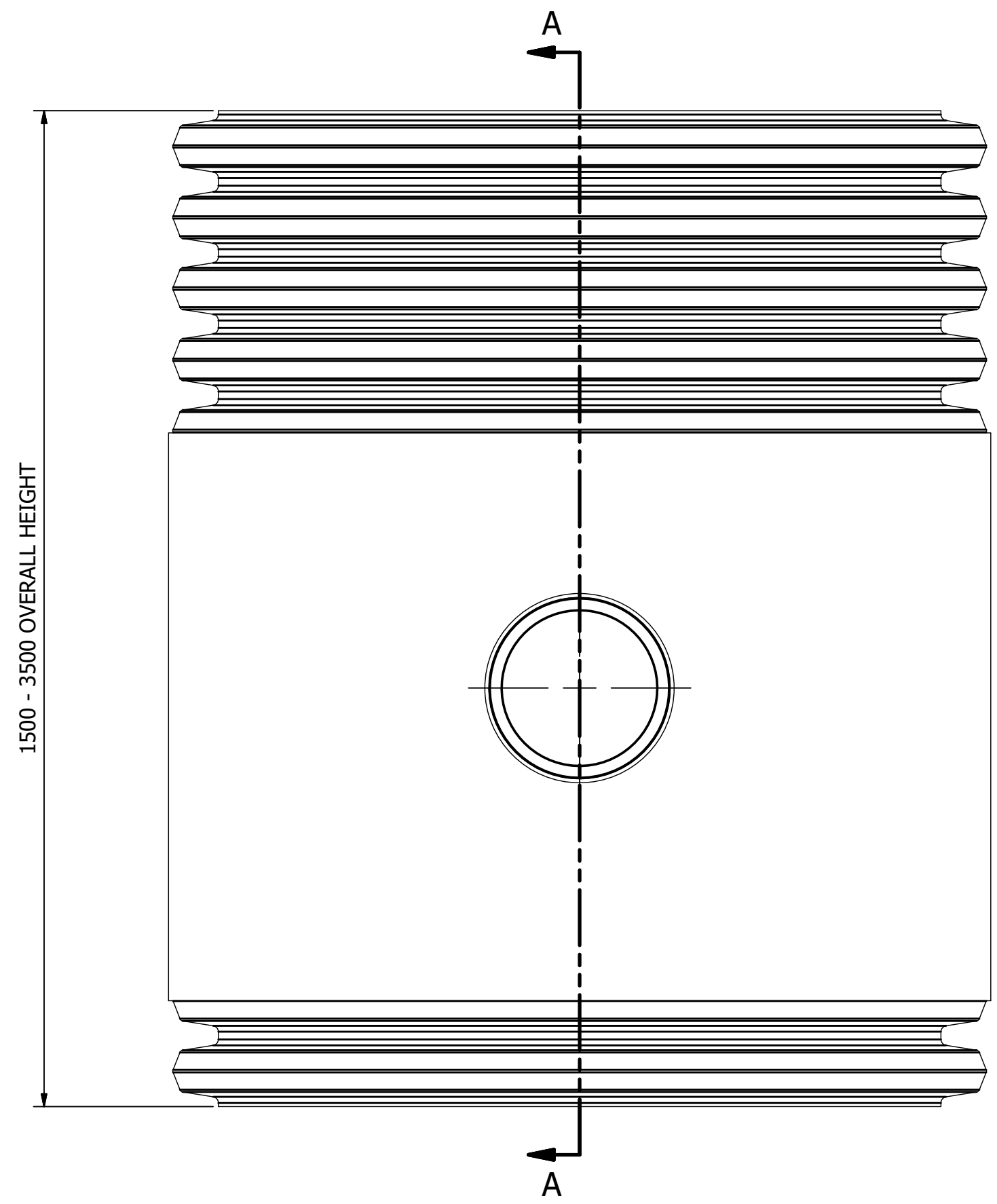
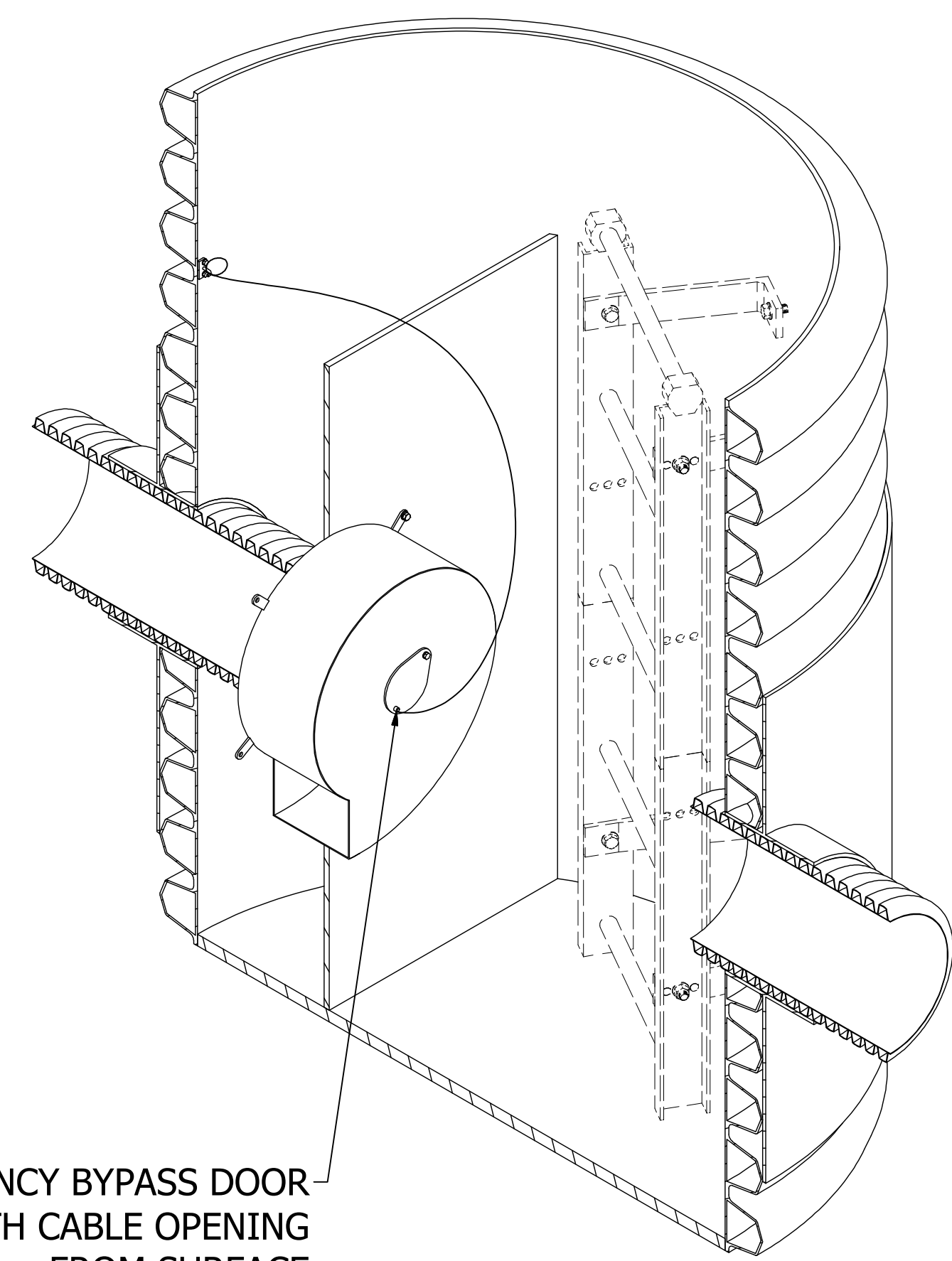


PLEASE NOTE: FITTED LADDERS ARE OPTIONAL
ON CHAMGERS DEEPER THAN 1.5m.
LADDERS COMPLY WITH BS14396.
MATERIAL: Nylon 66.



EMERGENCY BYPASS DOOR
WITH CABLE OPENING
FROM SURFACE



SECTION A-A
SCALE 1:7.5

INLET / OUTLET OPTIONS: 110mm, 160mm EN1401
150mm, 225mm, 300mm TWINWALL



VORTIFLO

VORTEX FLOW CONTROL CHAMBERS

DRAWN BY:-	R.U.	CONTRACT REFERENCE:-		N/A
DRAWN DATE:-	03/08/2020	PRODUCT DESCRIPTION		
		VORTIFLO FLOW CONTROL CHAMBER		
APPROVED	D.A.	SIZE	PRODUCT CODE	REV
		A3	VFCC1050	1
		SCALE	1:7.5	SHEET 1 OF 1