

VORTIFLO

VORTEX FLOW CONTROL CHAMBERS



MODELS: VFCC750 & VFCC1050

OVERVIEW

Vortiflo Flow Control Chambers are specifically designed for controlling the flow of storm water from large volume attenuation systems, preventing downstream flooding during periods of heavy rainfall. All Vortiflo units are designed in accordance to the requirements of DCG - Design & Construction Guidelines, to meet client and site specifications and achieve the specified flow rate at the given head/height.

GENERAL DESCRIPTION

Vortiflo chambers are manufactured in two diameters - 750mm and 1050mm, which both feature high strength twinwall bodies. They come as a single piece units, with the Vortex Flow Control pre fitted onto a headwall within the chamber, so the unit is ready for immediate installation on site. There is a choice of pipework diameters available, with extra inlets available on request. (See Fig 1 below for options).

FLOW CONTROL SPECIFICATION

The flow controls themselves are manufactured from 304 Grade stainless steel and approved to ISO 9001: 2015, which applies to the provision of Flow Control Devices. Control units are available in sizes to suit an extensive range of flow rate specifications. Each flow control comes with design flow graph, which shows the performance curve of the unit for the given specification.

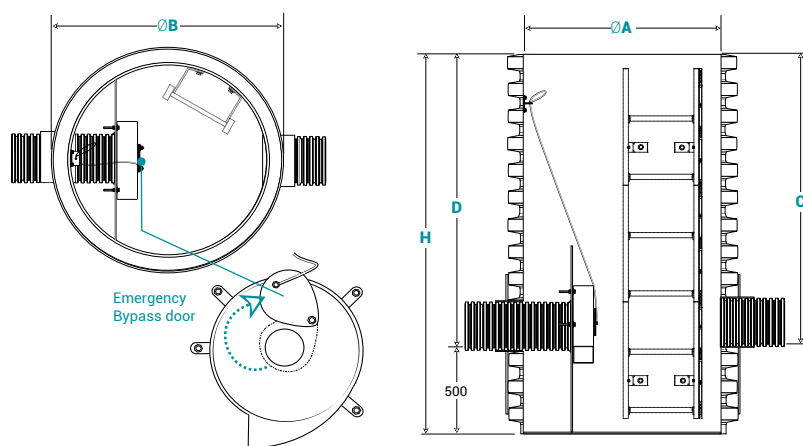
MAINTENANCE

The Vortex Flow Control units themselves require no routine maintenance and the inspection chambers requires inspection & maintenance in line with current practice.



FEATURES & BENEFITS

- One piece unit, delivered ready to install, reducing installation time and costs
- No construction or wet trades required, offering significant on site savings against PCC and other traditional construction methods.
- Robust, chemical resistant- twinwall body
- Two diameters available - 750mm & 1050mm
- Each model available in five depths
- Large range of pipework options available
- Adaptors available to fit a wide range of pipework
- Option of fitted ladders (1050 model only)
- 500mm sump depth for catchment of solids and fines
- Can be installed in granular backfill
- Individually designed to the specific performance requirements of the application
- Optimum Hydraulic Efficiency – the mechanism employed within the vortex flow control provides superior hydraulic performance in traditional flow control systems
- Self activating - No power supply required
- Emergency Bypass door fitted as standard to allow drain down and rodding access to meet Sfa7 and the new DCG
- All flow controls are approved by QMS International PLC to ISO 9001: 2015. The Approved Quality Management system applies to the provision of Flow Control Devices
- Proven performance
- Flow Controls capable of dealing with flow rates up to 500 litres per second
- 120 year Design Life
- Simple maintenance
- Manufactured in the UK



Product Code	Pipework Options EN1401 mm	Pipework Options Twinwall mm	ØA mm	ØB mm	D Outlet Invert mm	C Inlet Invert mm	H Overall Height mm
VFCC750/1.5	110 - 160	150 - 225	750	870	1000	Optional	1500
VFCC750/2	110 - 160	150 - 225	750	870	1500	Optional	2000
VFCC750/2.5	110 - 160	150 - 225	750	870	2000	Optional	2500
VFCC750/3	110 - 160	150 - 225	750	870	2500	Optional	3000
VFCC750/3.5	110 - 160	150 - 225	750	870	3000	Optional	3500
VFCC1050/1.5	110 - 160	150 - 450	1050	1190	1000	Optional	1500
VFCC1050/2	110 - 160	150 - 450	1050	1190	1500	Optional	2000
VFCC1050/2.5	110 - 160	150 - 450	1050	1190	2000	Optional	2500
VFCC1050/3	110 - 160	150 - 450	1050	1190	2500	Optional	3000
VFCC1050/3.5	110 - 160	150 - 450	1050	1190	3000	Optional	3500

Note: Deeper chambers are available.

What information do we need to Design your Vortiflo?

- 1) The Design Flow - Maximum Discharge
- 2) The Design Head - Invert to Top Water Level

From this information we will size and design the Vortiflo to meet the design criteria and to suit the proposed infrastructure.

FIG1 - Inlet options

