



Main image shown above is AIC11060020SP with 600RCC Reduction Cap fitted.

orange range  
FOUL & SURFACE WATER SYSTEMS

# ACCESSO<sup>®</sup>

## 600 SERIES

MODEL: **AIC110600SP**  
Inspection Chambers for use with 110mm EN 1401 uPVC pipe systems

**DATA SHEET**  
inspection chambers



### DESCRIPTION

600mm diameter - Factory built inspection chambers, delivered to site as single piece units, ready to install, no assembly required.

This model has an injection moulded chamber base, which has 110mm socket connections to main channel and four optional 110mm side connections - Two at 90° and two at 45°. All side inlets are supplied with socket plugs, which can be simply removed for use on site.

### APPLICATION

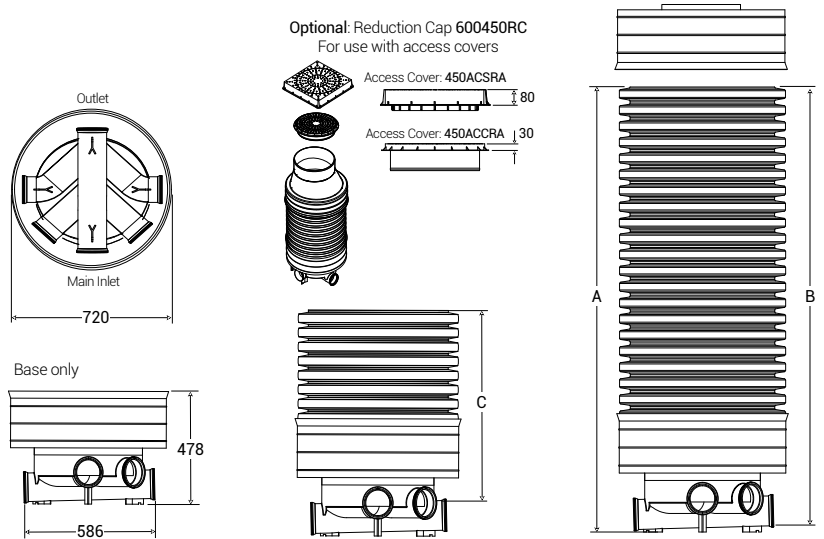
- Above ground access for inspection and maintenance of foul & surface water pipework systems
- Suitable for Adoptable and Non-Adoptable applications
- Maximum installation depth - Adoptable 2000mm to soffit of pipe and Non-Adoptable 3000mm

### COMPLIANCE

- EN 13598 Part - 2 (2009)
- New Design & Construction Guidance (DCG) - Type D & E Chambers
- Sewers for Adoption (SfA7) 7<sup>th</sup> edition - superseded by above
- Building Regulations - Part H1
- DCG stipulates, where depths from cover to soffit of main pipework are over 1 metre, a restricted access to maximum 350mm diameter is required

### FEATURES & BENEFITS

- Single piece - Factory built units
- Quick and simple to install
- Base and four standard depths available
- Deeper chambers available on request up to 3000mm
- Lightweight - No machinery or lifting equipment required
- Stepped base - 65mm step from side to main channel. Meets DCG requirement for Adoptable sewers
- Restriction Caps are available for chambers deeper than 1 metre to soffit of inlet pipe to meet DCG
- Option of Reduction Cap 600450RC - This reduces the access diameter from 600mm to 450mm to accommodate a 450mm access cover
- Range of adaptors available to suit other pipework
- Access shafts can be easily cut onsite to required depth
- Granular backfill
- 60 year Design Life
- Manufactured in the UK



Product Code	Main channel pipework ø (mm)	Optional Side Inlets (mm)	Overall Depth A (mm)	Dimension B (mm)	Dimension C (mm)	Approx. Weight (kg)
<b>AIC110600B</b> (Base Only)	110	2x 110 at 90° & 2x 110 at 45°	478	448	348	7
<b>AIC1106001SP</b>	110	2x 110 at 90° & 2x 110 at 45°	1020	990	880	23
<b>AIC11060015SP</b>	110	2x 110 at 90° & 2x 110 at 45°	1500	1470	1360	32
<b>AIC11060020SP</b>	110	2x 110 at 90° & 2x 110 at 45°	1960	1930	1820	40
<b>AIC11060024SP</b>	110	2x 110 at 90° & 2x 110 at 45°	2415	2385	2275	48

Chambers above AIC1106001SP require a Restriction Cap 600RCC to comply with DCG. Optionally, chambers can be supplied with our 600450RC Reduction Cap, which accommodates either of two access covers - Circular or Square, both have the required 350mm diameter restricted access.

### ADAPTORS

<b>TW150110SPSP</b>	Adaptor from 110mm EN1401 to 150mm twinwall (for outlet only on this model)	0.5
---------------------	---	-----

### REDUCTION CAPS & ACCESS COVERS

<b>600RCC</b>	Standard Restriction Cap - reducing to 320mm diameter	4
<b>300DC</b>	Ø300mm Debris Cover - Fits 600RCC Restriction Cap	3
<b>600450RC</b>	Reduction Cap to accommodate access covers below - effective height 285mm	6.5
<b>600SR</b>	Sealing Ring for Reduction Cap to access shaft	3
<b>450ACCRA</b>	Circular access cover with integral 350mm restricted access - A15 Loading	6.5
<b>450ACSRA</b>	Square section access cover with integral 350mm restricted access - A15 Loading	14

