



ACCESSO®

600 SERIES

MODEL: **AIC600225225B**
Inspection Chambers for use with 225mm twinwall systems

DESCRIPTION

600mm diameter - Factory built inspection chambers, delivered to site as single piece units, ready to install, no assembly required.

All chambers feature a robust, impact resistant, rota moulded base. This model has 225mm twinwall connections to main channel and optional 225mm twinwall side connections at 90°, which are provided with blind ends that can be cut off on site if required. Chambers come with 225mm twinwall rocker pipes to main channel and 225mm rocker pipes are available for side inlets, as well as a wide range of adaptors to fit both main and side channels.

APPLICATION

- Above ground access for inspection and maintenance of surface water pipework systems
- Suitable for Adoptable and Non-Adoptable applications
- Maximum installation depth - Adoptable 2000mm to soffit of pipe and Non-Adoptable 3000mm

COMPLIANCE

- EN 13598 Part - 2 (2009)
- New Design & Construction Guidance (DCG) - Type D & E Chambers
- Sewers for Adoption (SfA7) 7th edition - superceded by above
- Building Regulations - Part H1
- DCG stipulates, where depth from cover to soffit of main pipework is over 1 metre, a restricted access of maximum 350mm diameter is required

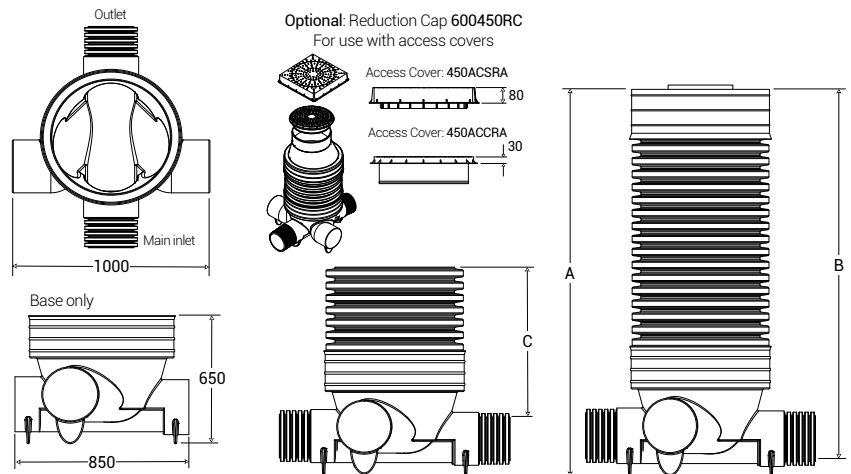
blue range
SURFACE WATER SYSTEMS



Main image above shows AIC600225225B/1.5 with 600RCC Restriction Cap fitted.

FEATURES & BENEFITS

- Single piece - Factory built units
- Robust - Impact resistant rota moulded base
- Quick and simple to install
- Base and four standard depths available
- Deeper chambers available on request up to 3000mm
- Compatible with all UK twinwall pipe systems
- Lightweight - No machinery or lifting equipment required
- Built in rocker pipes to main channel
- Stepped base - 50mm step from side to main channel, meets DCG requirement for Adoptable Sewers
- Restriction Cap available to comply with DCG - Design & Construction Guidelines
- Option of Reduction Cap 600450RC - This reduces the access diameter from 600mm to 450mm to accommodate a 450mm access cover
- Debris cover available to prevent rubble entering chamber
- Range of adaptors available to suit other pipework
- Access shafts can be easily cut onsite to required depth
- Granular backfill
- 60 year Design Life



Product Code	Main channel pipework Ø (mm)	Optional Side Inlets (mm)	Overall Depth A (mm)	Dimension B (mm)	Dimension C (mm)	Approx. Weight (kg)
AIC600225225B (Base Only)	225 twinwall	2 x 225 twinwall	650	587	372	10
AIC600225225B/1	225 twinwall	2 x 225 twinwall	1090	1027	802	26
AIC600225225B/1.5	225 twinwall	2 x 225 twinwall	1570	1507	1282	35
AIC600225225B/2	225 twinwall	2 x 225 twinwall	1960	1897	1672	43
AIC600225225B/2.4	225 twinwall	2 x 225 twinwall	2350	2287	2062	50

Chambers above AIC600225225B/1 require a Restriction Cap 600RCC to comply with DCG. Optionally, chambers can be supplied with our 600450RC Reduction Cap, which accommodates either of two access covers - Circular or Square, both have the required 350mm diameter restricted access.

ADAPTORS & ROCKER PIPES

TW225225UR	Adaptor - 225mm twinwall to ULTRA RIB	2
TW225225PS	Adaptor - 225mm twinwall to POLYSEWER (also fits 225mm Marley Quantum)	2
TWR225160	225mm twinwall to EN1401 160mm pipe socket	2
TWR225150	225mm twinwall to 150mm twinwall pipe socket	2
225TWRP	225mm twinwall rocker pipe and seal	1.5

REDUCTION CAPS & ACCESS COVERS

600RCC	Standard Restriction Cap - reducing to 320mm diameter	4
300DC	Ø300mm Debris Cover - Fits 600RCC Restriction Cap	3
600450RC	Reduction Cap to accommodate access covers below - effective height 285mm	6.5
600SR	Sealing Ring for Reduction Cap to access shaft	3
450ACCRA	Circular access cover with integral 350mm restricted access - A15 Loading	6.5
450ACSRA	Square section access cover with integral 350mm restricted access - A15 Loading	14

