



orange range
FOUL & SURFACE WATER SYSTEMS

ACCESSO[®]

600 SERIES

MODEL: **AIC600250B**

Inspection Chambers for use with 250mm single wall uPVC pipe systems, including Funke HS and DYKA ULTRA 3

DESCRIPTION

600mm diameter - Factory built inspection chambers, delivered to site as single piece units, ready to install, no assembly required.

All chambers feature a robust, impact resistant, rota moulded base. This model has spigot connections to 250mm single wall, uPVC sewer pipe fittings on the main channel and two further 225mm side connections at 90°, for connection to various 225mm pipe systems with adaptors. Side inlet spigots have blind ends that can be cut off on site if required.

APPLICATION

- Above ground access for inspection and maintenance of foul & surface water pipework systems
- Suitable for Adoptable and Non-Adoptable applications
- Maximum installation depth - Adoptable 2000mm to soffit of pipe and Non-Adoptable 3000mm

COMPLIANCE

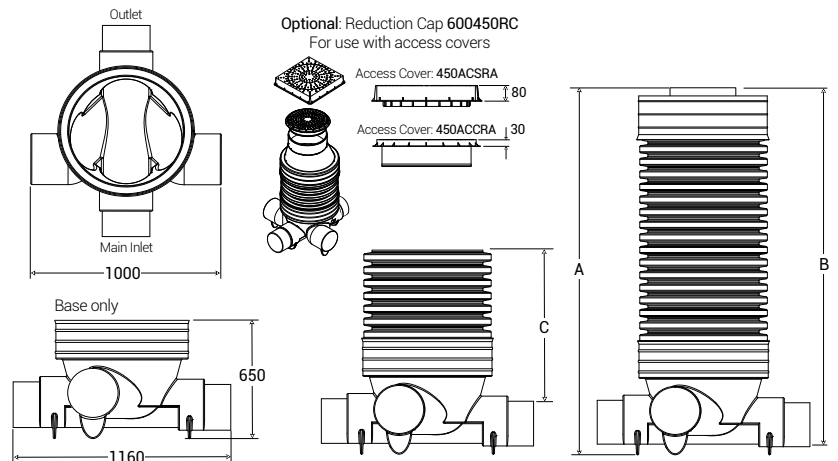
- EN 13598 Part - 2 (2009)
- New Design & Construction Guidance (DCG) - Type D & E Chambers
- Sewers for Adoption (SfA7) 7th edition - superceded by above
- Building Regulations - Part H1
- DCG stipulates, where depths from cover to soffit of main pipework, are over 1 metre, a restricted access to maximum 350mm diameter is required



Main image shown above is AIC600250/1

FEATURES & BENEFITS

- Single piece - Factory built units
- Robust - Impact resistant rota moulded base
- Quick and simple to install
- Base and four standard depths available
- Deeper chambers available on request up to 3000mm
- Lightweight - No machinery or lifting equipment required
- Stepped base - 50mm step from side to main channel. Meets DCG requirement for Adoptable sewers
- Restriction Caps are available for chambers deeper than 1 metre to soffit of inlet pipe to meet DCG
- Option of Reduction Cap 600450RC. This reduces the access diameter from 600mm to 450mm to accommodate a 450mm access cover
- Range of adaptors available to suit other pipework
- Access shafts can be easily cut onsite to required depth
- Granular backfill
- 60 year Design Life
- Manufactured in the UK



Product Code	Main channel pipework ø (mm)	Optional Side Inlets (mm)	Overall Depth A (mm)	Dimension B (mm)	Dimension C (mm)	Approx. Weight (kg)
AIC600250B (Base Only)	250	2 x 225	650	600	357	10
AIC600250B/1	250	2 x 225	1090	1040	797	20
AIC600250B/1.5	250	2 x 225	1570	1520	1277	29
AIC600250B/2	250	2 x 225	1960	1910	1667	38
AIC600250B/2.4	250	2 x 225	2350	2300	2057	44

Chambers deeper than AIC600250B/1 require a Restriction Cap 600RCC to comply with DCG. As an option, chambers can be supplied with Reduction Cap - 600450RC, which accommodates either of two access covers - Circular or Square, both have the required 350mm restricted access.

ADAPTORS & ROCKER PIPES

WSA138110	Wall seal adaptor to 110mm EN1401 pipe	0.5
TW225225UR	Adaptor - 225mm twinwall to ULTRA RIB	2
TW225225PS	Adaptor - 225mm twinwall to POLYSEWER (also fits 225mm Marley Quantum)	2
TWR225160	225mm twinwall to EN1401 160mm pipe socket	2
TWR225150	225mm twinwall to 150mm twinwall pipe socket	2
225TWRP	225mm twinwall rocker pipe and seal	1.5

REDUCTION CAPS & ACCESS COVERS

600RCC	Standard Restriction Cap - reducing to 320mm diameter	4
300DC	Ø300mm Debris Cover - Fits 600RCC Restriction Cap	3
600450RC	Reduction Cap to accommodate access covers below - effective height 315mm	6.5
600SR	Sealing Ring for Reduction Cap to access shaft	3
450ACCRA	Circular access cover with integral 350mm restricted access - A15 Loading	6.5
450ACSRA	Square section access cover with integral 350mm restricted access - A15 Loading	14

