

RESTRICTION CAPS & DEBRIS COVERS

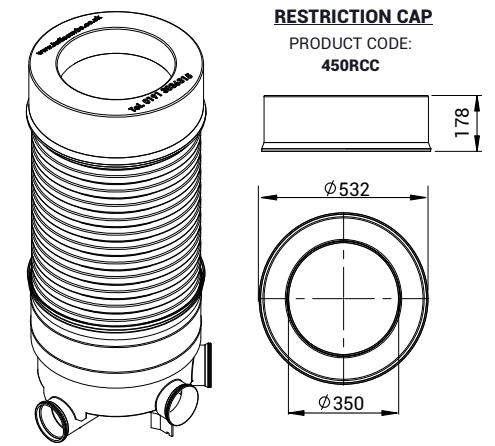
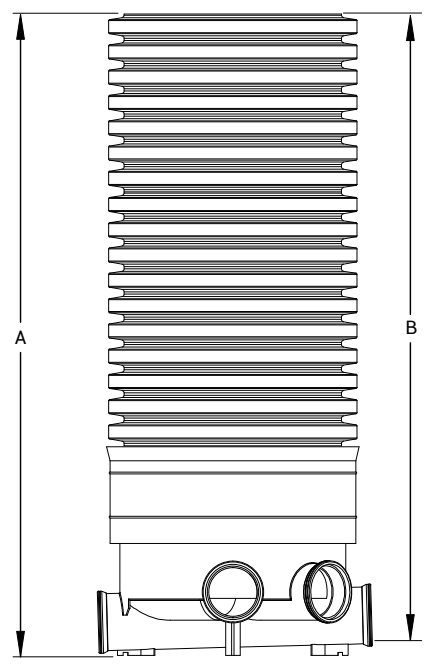
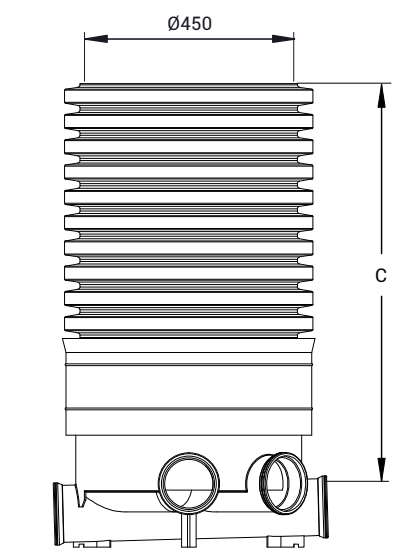
NEW DESIGN & CONSTRUCTION GUIDANCE (DCG), HAS NOW EFFECTIVELY SUPERCEDED SFA7 (SEWERS FOR ADOPTION 7).

DCG STATES THAT ACCESS MUST BE RESTRICTED TO A MAXIMUM OF 350MM, ON ANY TYPE D OR E INSPECTION CHAMBER, DEEPER THAN 1000MM FROM COVER LEVEL TO SOFFIT OF PIPE.

OUR 450RCC - RESTRICTION CAP IS DESIGNED TO FIT OVER THE ACCESS SHAFT AND PROVIDE A Ø350MM ACCESS.

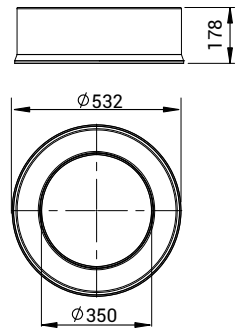
ALTERNATIVELY CHAMBERS CAN BE SUPPLIED WITH EITHER OF THE TWO ACCESS COVERS - SQUARE SECTION 450ACBRA OR CIRCULAR 450ACCRA. BOTH FIT DIRECTLY INTO THE CHAMBER ACCESS SHAFT AND HAVE THE REQUIRED RESTRICTED ACCESS OF Ø350MM.

THE LOADINGS ON BOTH COVERS IS A15 RATED.

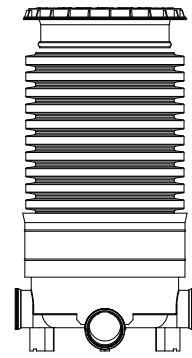
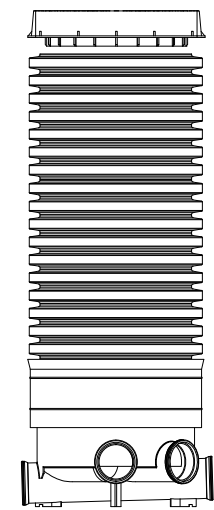


RESTRICTION CAP

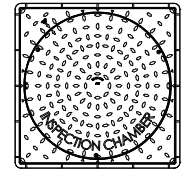
PRODUCT CODE:
450RCC



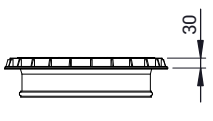
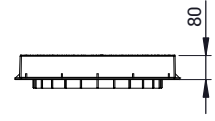
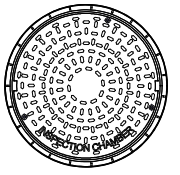
ACCESS COVER OPTIONS



PRODUCT CODE:
450ACBRA



PRODUCT CODE:
450ACCRA



PRODUCT CODE	MAIN CHANNEL PIPEWORK Ø (mm)	OPTIONAL SIDE INLETS (mm)	OVERALL DEPTH	DIMENSION	DIMENSION	APPROX. WEIGHT (kg)
			A (mm)	B (mm)	C (mm)	
AIC110450B (Base Only)	110	2 x 110 at 90° & 2 x 110 at 45°	444	414	304	6.5
AIC1104501SP	110	2 x 110 at 90° & 2 x 110 at 45°	960	930	820	13.5
AIC11045015SP	110	2 x 110 at 90° & 2 x 110 at 45°	1480	1450	1340	18.5
AIC11045020SP	110	2 x 110 at 90° & 2 x 110 at 45°	1940	1910	1800	24
AIC11045024SP	110	2 x 110 at 90° & 2 x 110 at 45°	2300	2270	2160	29

PROPRIETARY & CONFIDENTIAL

THE INFORMATION CONTAINED IN THIS DRAWING IS THE SOLE PROPERTY OF TURTLE ENVIRO DRAINNOVATION ANY REPRODUCTION IN PART OR AS A WHOLE WITHOUT THE WRITTEN PERMISSION OF TURTLE ENVIRO IS PROHIBITED.



ACCESSO[®]
Inspection chambers

DRAWN BY A.T	CONTRACT		
DRAWN DATE 06/07/2021	PRODUCT DESCRIPTION ORANGE RANGE - 450 SERIES		
APPROVED BY D.A	PRODUCT/CODE AIC110450SP		
APPROVED DATE 06/07/2021	SCALE:	SHEET/SIZE	A3 REV: 1