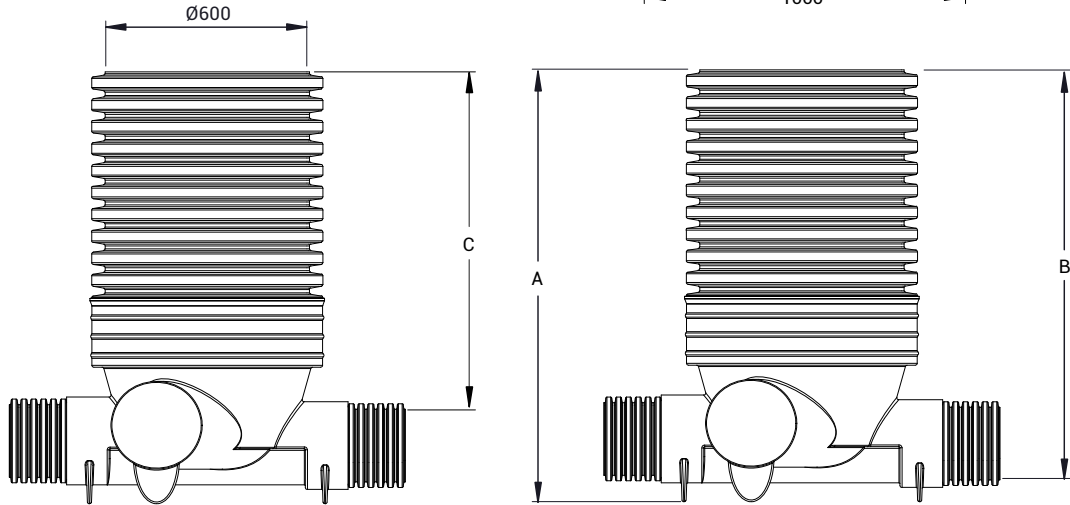
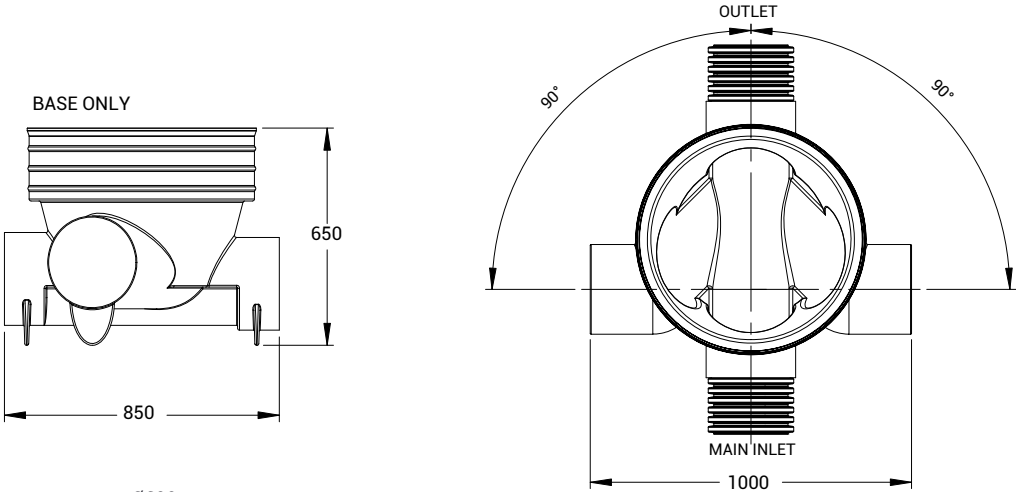


RESTRICTION CAPS & DEBRIS COVERS

NEW DESIGN & CONSTRUCTION GUIDANCE (DCG), HAS NOW EFFECTIVELY SUPERCEDED SFA7 (SEWERS FOR ADOPTION 7).

DCG STATES THAT ACCESS MUST BE RESTRICTED TO A MAXIMUM OF 350MM, ON ANY TYPE D OR E INSPECTION CHAMBER, DEEPER THAN 1000MM FROM COVER LEVEL TO SOFFIT OF PIPE.

OUR 600RCC - RESTRICTION CAP IS DESIGNED TO FIT OVER THE ACCESS SHAFT AND PROVIDE A Ø320MM ACCESS. ALTERNATIVELY CHAMBERS CAN BE SUPPLIED WITH OUR REDUCTION CAP - 600450RC, AS DETAILED BELOW. THIS ACCOMMODATES EITHER OF THE TWO ACCESS COVERS - SQUARE SECTION 450ACSRA OR CIRCULAR 450ACCRA. BOTH HAVE THE REQUIRED RESTRICTED ACCESS TO Ø350MM AND THE LOADINGS ON BOTH COVERS IS A15 RATED.

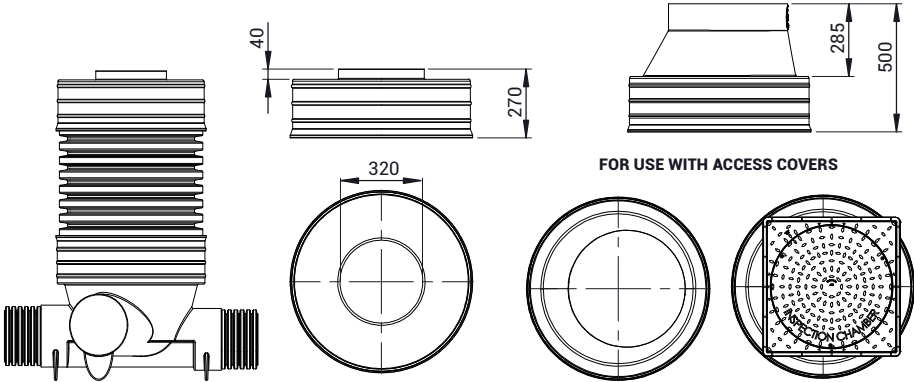


RESTRICTION CAP

PRODUCT CODE:
600RCC

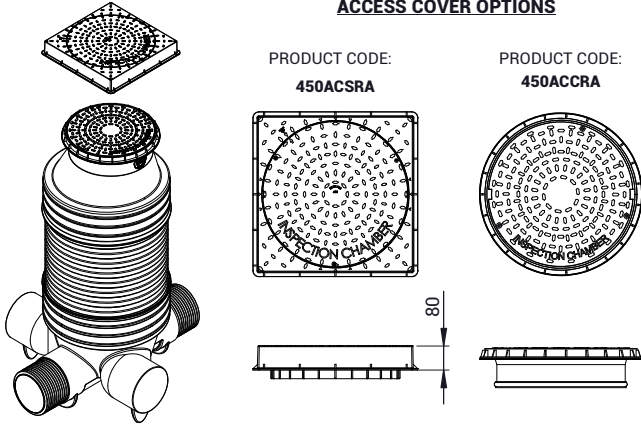
REDUCTION CAP

PRODUCT CODE:
600450RC



FOR USE WITH ACCESS COVERS

ACCESS COVER OPTIONS



PRODUCT CODE:
450ACSRA

PRODUCT CODE:
450ACCRA

PRODUCT CODE	MAIN CHANNEL PIPEWORK Ø (mm)	OPTIONAL SIDE INLETS (mm)	OVERALL DEPTH	DIMENSION	DIMENSION	APPROX. WEIGHT (Kg)
			A (mm)	B (mm)	C (mm)	
AIC600225225B (Base Only)	225 twinwall	2 x 225 twinwall	650	587	372	10
AIC600225225B/1	225 twinwall	2 x 225 twinwall	1090	1027	802	26
AIC600225225B/1.5	225 twinwall	2 x 225 twinwall	1570	1507	1282	35
AIC600225225B/2	225 twinwall	2 x 225 twinwall	1960	1897	1672	43
AIC600225225B/2.4	225 twinwall	2 x 225 twinwall	2350	2287	2062	50

PROPRIETARY & CONFIDENTIAL

THE INFORMATION CONTAINED IN THIS DRAWING IS THE SOLE PROPERTY OF TURTLE ENVIRO DRAINNOVATION ANY REPRODUCTION IN PART OR AS A WHOLE WITHOUT THE WRITTEN PERMISSION OF TURTLE ENVIRO IS PROHIBITED.



DRAWN BY A.T	CONTRACT
DRAWN DATE 05/07/2021	
APPROVED BY D.A	PRODUCT DESCRIPTION BLUE RANGE - 600 SERIES
APPROVED DATE 05/07/2021	PRODUCT/CODE AIC600225225B
SCALE:	SHEET/SIZE A3
REV:	1