



MODEL: SS300110

OVERVIEW

The Silt Sentinel Range has been designed for the catchment and removal of silt and debris from the run off from impermeable and hard standing surface areas, such as: roofs, path and driveways, patios, car parks, roads and highways. Installation of a Silt Sentinel as part of a SuDS design, will provide effective primary treatment for the surface water run off, improving water quality downstream and in turn, helping prevent flooding.

APPLICATION

The SS300 Range is designed for installation upstream of smaller volume, cellular/crate – attenuation systems.

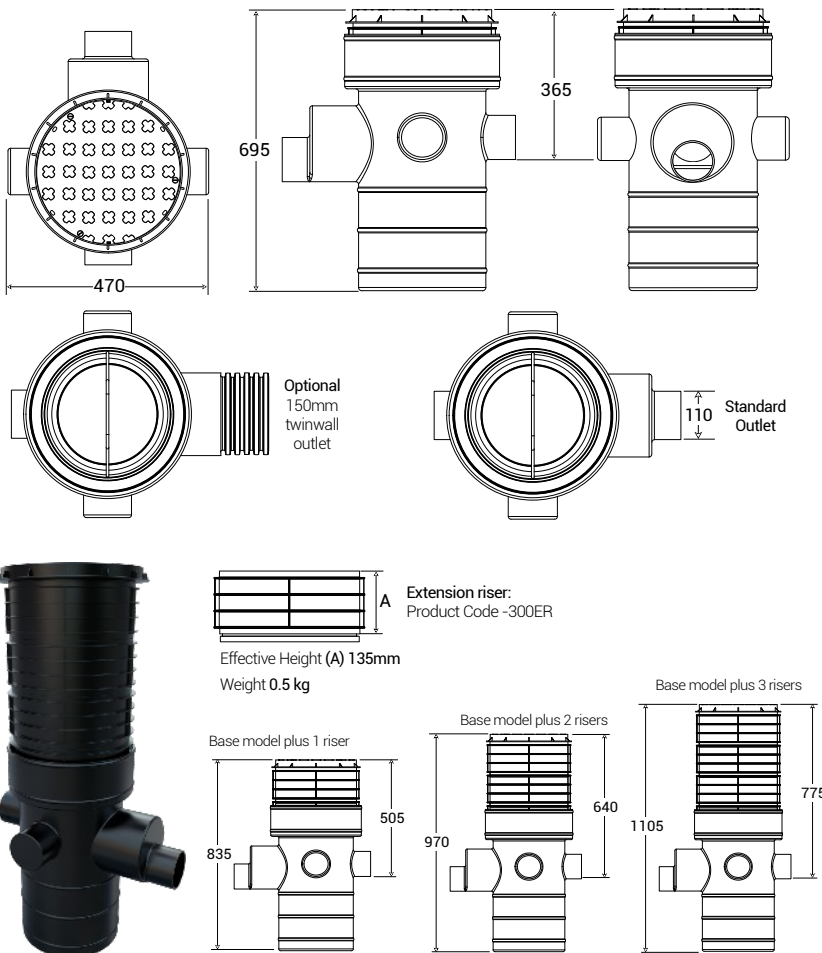
DESCRIPTION

300mm diameter, factory built unit, delivered to site ready to install. Featuring a robust, impact resistant, rota moulded base with four moulded pipe spigots that accommodate 110mm EN 1401 pipe fittings. All spigots have blind ends, that can be cut off on site if required. The main outlet has the option of a 150mm twinwall pipe connection.

Integrally there is a filter basket with an alloy filter screen fitted, this screen enhances the retention and separation of silt and removes any debris that enters the unit. The filter basket also features a telescopic stainless steel handle, which is ergonomically designed to aid lifting.

FEATURES & BENEFITS

- Single piece unit delivered ready to install, reducing installation time and costs
- Quick and Easy installation
- Robust, chemical resistant - rota moulded body
- Inlet Pipework - 3 x 110mm EN 1401 spigots
- Outlet Pipework - 110mm EN 1401 spigot or 150mm twinwall
- Removable filter basket with an ergonomically designed telescopic lifting handle
- Filter basket has an alloy screen filter fitted, providing more efficient separation
- Basket full -20 kg, allowing a single person lift
- Simple maintenance
- Can be installed in granular surround
- 60 year Design Life
- Manufactured in the UK



PRODUCT CODE	WORKING CAPACITY Litres	BASKET CAPACITY Litres	INLET PIPEWORK Ø mm	OUTLET PIPEWORK Ø mm	OVERALL WEIGHT EMPTY kg
SS300110	20	18	3 x 110	110 or 150	7.5

60^{yr} Design Life

 Manufactured in the UK

 **SILT SENTINEL**
BUILT FOR SILT