

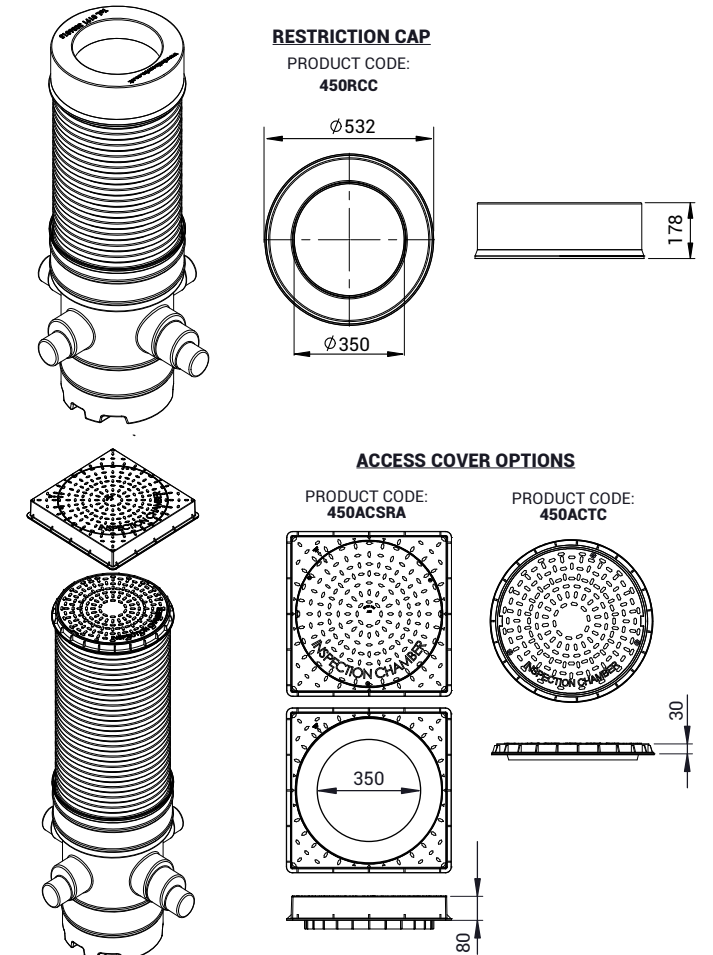
RESTRICTION CAPS & ACCESS COVERS

NEW DESIGN & CONSTRUCTION GUIDANCE (DCG), HAS NOW EFFECTIVELY SUPERCEDED SFA7 (SEWERS FOR ADOPTION 7). DCG STATES THAT ACCESS MUST BE RESTRICTED TO A MAXIMUM OF 350MM, ON ANY TYPE D OR E INSPECTION CHAMBER, DEEPER THAN 1000MM FROM COVER LEVEL TO SOFFIT OF PIPE.

OUR 450RCC - RESTRICTION CAP IS DESIGNED TO FIT OVER THE ACCESS SHAFT AND PROVIDE A Ø350MM ACCESS.

ALTERNATIVELY CHAMBERS CAN BE SUPPLIED WITH EITHER OF THE TWO ACCESS COVERS - SQUARE SECTION 450ACRA WHICH HAS A MOULDED 350MM Ø RESTRICTION BAFFLE INTERNALLY. OR OUR 450ACTC CIRCULAR COVER FOR SHALLOWER INSTALLATION.

BOTH COVERS FIT DIRECTLY ONTO THE CHAMBER ACCESS SHAFT THE LOADINGS ON BOTH COVERS IS A15 RATED.



Product Code	Main pipework Connections Ø (mm)	Optional Side Inlets (mm)	Depth A (mm)	Inlet Invert B (mm)	Soffit Depth C (mm)	Approx. Weight (kg)
AICCP450B (Base Only)	110 -160	110 -160	750	430	280	5
AICCP450B/1	110 -160	110 -160	1015	695	545	11
AICCP450B/1.5	110 -160	110 -160	1495	1175	1025	18.5
AICCP450B/2	110 -160	110 -160	1950	1630	1480	23
AICCP450B/2.4	110 -160	110 -160	2410	2090	1940	27.5
AICCP450B/3	110 -160	110 -160	3025	2705	2555	33

Please Note: Chambers deeper than 1000mm to soffit of pipework, require a Restriction Cap 450RCC to comply with DCG.

PROPRIETARY & CONFIDENTIAL

THE INFORMATION CONTAINED IN THIS DRAWING IS THE SOLE PROPERTY OF TURTLE ENVIRO DRAINNOVATION ANY REPRODUCTION IN PART OR AS A WHOLE WITHOUT THE WRITTEN PERMISSION OF TURTLE ENVIRO IS PROHIBITED.



DRAWN BY A.T	CONTRACT
DRAWN DATE 12/01/2022	
APPROVED BY D.A	PRODUCT DESCRIPTION BLUE RANGE - 450 SERIES CATCHPIT
APPROVED DATE 12/1/2022	PRODUCT/CODE AICCP450B
SCALE:	SHEET/SIZE A3
REV:	1