



# blue range

SURFACE WATER SYSTEMS

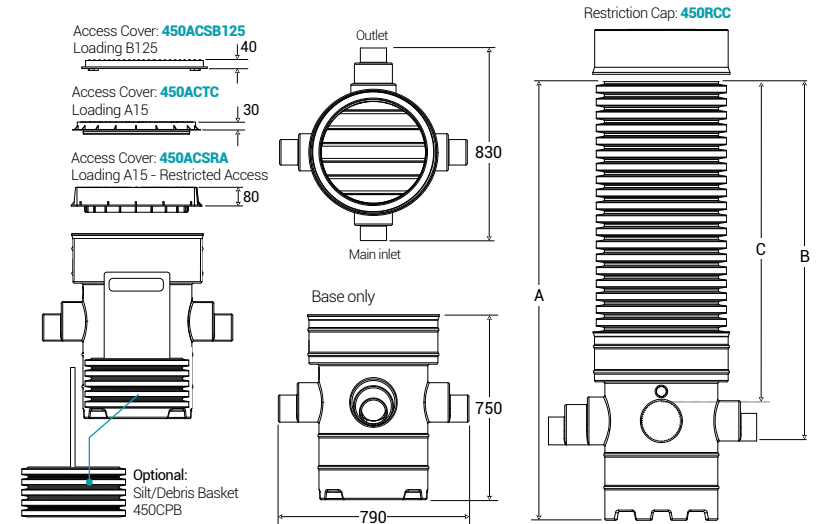
## 450 SERIES



### MODEL: AICCP450B

450mm internal diameter - Factory built inspection chamber catch-pits, delivered to site as single piece units, ready to install, no assembly required. All chambers feature a robust, impact resistant, rota moulded base with four moulded pipe spigots, that all accommodate, either 110mm or 160mm EN 1401 pipe fittings. All spigots have blind ends, that can be cut off on site if required.

We have introduced the option of a Silt/Debris Basket. The basket will only be fully removable if fitted with an access cover with a minimum clear opening of 450mm x 450mm or 450mm Ø. If a silt basket is required, then our 450ACSRA access cover should not be used, as the basket will not be able to be removed through the restricted 350Ø access.



Product Code	Main pipework connections Ø (mm)	Optional side inlets Ø (mm)	Overall Depth A (mm)	Inlet Invert B (mm)	Soffit Depth C (mm)	Approx. Weight (kg)
<b>AICCP450B</b> (Base Only)	110-160	110-160	750	430	280	5
<b>AICCP450B/1</b>	110-160	110-160	1015	695	545	11
<b>AICCP450B/1.5</b>	110-160	110-160	1495	1175	1025	18.5
<b>AICCP450B/2</b>	110-160	110-160	1950	1630	1480	23
<b>AICCP450B/2.4</b>	110-160	110-160	2410	2090	1940	27.5
<b>AICCP450B/3</b>	110-160	110-160	3025	2705	2555	33

Please Note: Chambers deeper than 1000mm to soffit of pipework, require a Restriction Cap 450RCC to comply with DCG.

### Silt/Debris Basket



<b>450CPB</b>	Silt Debris Basket	3.5
---------------	--------------------	-----

### Adaptors

<b>TW150150SPIS</b>	Adaptor to all 150mm pipe systems - internal connection	1
---------------------	---	---



### Restriction Cap & Access Covers

<b>450RCC</b>	Restriction Cap to 350mm Ø access	3
<b>450SR</b>	Sealing Ring for Restriction Cap to access shaft	2
<b>450ACSRA</b>	450mm Ø access cover - square section with integral 350mm restricted access - Class BS EN 124 - A15, suitable for loading up to 1.5 tonnes	14
<b>450ACTC</b>	450mm Ø circular access cover, suitable for loading up to 35kN (3.5 tonnes).	5
<b>450ACSB125</b>	450mm x 450mm composite access cover - Class BS EN 124-B125, suitable for use in situations requiring a loading up to 125kN (12.5 tonnes).	7

Please Note: The frame of this cover must be supported by a concrete plinth.



email: sales@turtleenviro.co.uk | sales & technical support: tel. 0191 3036315 | www.turtleenviro.co.uk

## Catch-pit chambers

### Application

- Above ground access for inspection and maintenance of surface water pipework systems
- Suitable for Adoptable and Non-Adoptable applications
- Maximum installation depth to soffit of pipe - Adoptable 3000mm and Non-Adoptable 3000mm

### Compliance

- Design & Construction Guidance (DCG) - Type D & E chambers
- EN 13598 Part 1 & 2 (2009)
- Building Regulations - Part H1

### Features & Benefits

- Single piece - Factory built units
- Robust - Impact resistant rota moulded body
- Quick and simple to install
- 320mm sump depth
- High Strength profiled base
- Base and five standard depths available
- **NEW** - Silt/Debris Basket
- Lightweight - No machinery or lifting equipment required
- Restriction Cap available to comply with DCG - Design & Construction Guidelines for deeper chambers
- Choice of Access Covers - A15 loading or **NEW**: B125 Loading
- Range of adaptors available to suit other pipework
- Access shafts can be easily cut onsite to required depth
- Granular backfill



ADS/AICCP450B/2/2Z/1V2