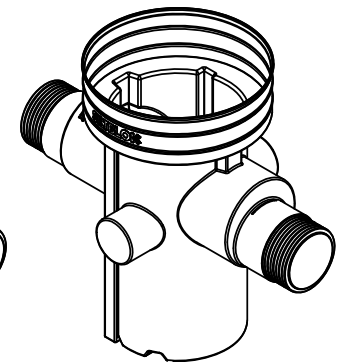
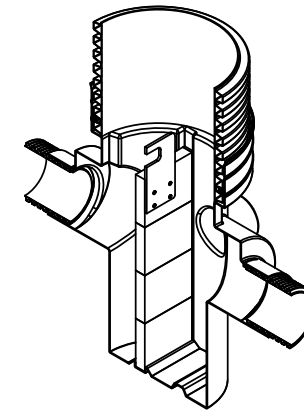
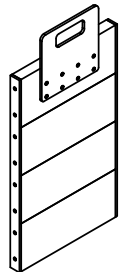
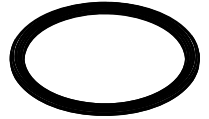
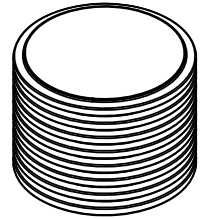


BASE ONLY



PRODUCT CODE	Main Pipework	Side Inlet	Overall	Invert	Depth of cover	Overall Weight
	Options	Option	Depth	Inlet		
	Ø (mm)	Ø (mm)	A (mm)	B (mm)	C (mm)	(Kg)
SB600/1.5	225-300	110-150	1490	980	680	34
SB600/2	225-300	110-150	2010	1500	1200	44
SB600/2.4	225-300	110-150	2400	1890	1590	51
SB600/3	225-300	110-150	2985	2475	2175	62

NB: 600 models are not supplied with access covers.

DRAWN BY: A.T
DRAWN DATE: 17/04/2023

CONTRACT:

PRODUCT DESCRIPTION: SILTBLOK

PRODUCT/CODE: SB600

PROPRIETARY & CONFIDENTIAL

THE INFORMATION CONTAINED IN THIS DRAWING IS THE SOLE PROPERTY OF TURTLE ENVIRO LIMITED. ANY REPRODUCTION IN PART OR AS A WHOLE WITHOUT THE WRITTEN PERMISSION OF TURTLE ENVIRO ENVIRO PROHIBITED.

APPROVED BY: D.A
APPROVED DATE: 17/04/2023

SCALE: 1:20 SHEET/SIZE A3 REV: 1